

Preface

In today's society, security surveillance has become increasingly more important. Video surveillance is a primary part of any surveillance system. Megapixel resolution cameras can effectively deter crime and provide factual evidence for criminal and terrorism investigations.

Video surveillance technology is improving every day, and StarDot Technologies is committed to providing quality US engineered products to compete in today's security market. StarDot Technologies is a global pioneer in video surveillance technology, and has been on the forefront of digital imaging technology since 1994.



StarDot Technologies is a manufacturer of megapixel IP cameras and video encoders. Established in 1994 StarDot Technologies has since provided digital imaging solutions to the tourism, scientific and security markets.

Headquartered in Buena Park, California StarDot offers USA engineered products, USA based technical support and sales staff.

StarDot Technologies has earned a reputation for providing high quality digital imaging cameras, and is proud to provide digital imaging solutions to NASA, National Oceanic and Atmospheric Administration and the Federal Aviation Authority.

With a product line consisting of three generations of NetCam IP cameras, and two generations of analogue encoders. StarDot Technologies consistently upholds the high standards set by the previous product generation, as well as taking leaps and bounds in advancing digital imaging technology.



StarDot Customers

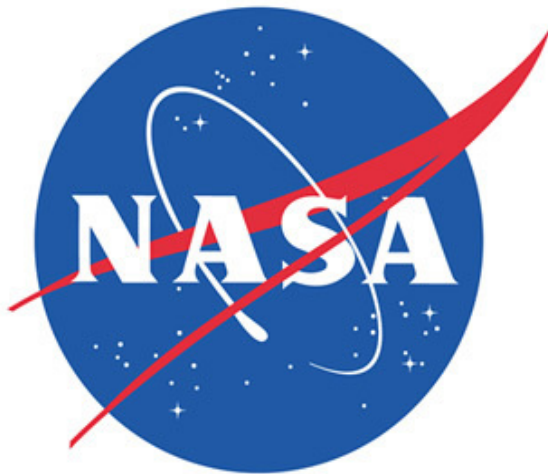
StarDot Technologies is proud to provide many prestigious institutions across the world with digital imaging solutions. StarDot has an established reputation for providing durable, rugged and high quality network cameras.

The Federal Aviation Authority has been using StarDot cameras for almost a decade. The FAA required a rugged, standalone camera that could withstand frigid weather conditions in Alaska. StarDot delivered a standalone camera that was capable of operating in temperatures as low as -40 degrees. These cameras are used for pilot safety and reliability was paramount to the success of this project to ensure the safety of the pilots.

StarDot cameras are used at Zion National Park, Yosemite National Park, Denali National park many other National Parks across the nation. The Yosemite National Park webcams (pictured right) is located in a remote part of the park. It is powered by a solar panel, and uploads an image to a server via a dial up satellite Internet connection.



StarDot is proud to provide cameras to the following agencies



Company History

Since 1994 StarDot Technologies has since pushed the envelope in the digital imaging world, creating one of the first web-cameras—the WinCam.One.

Building on the success of the WinCam.One, StarDot Technologies then released the network enabled, WinCam.Live. The WinCam.Live paved the way for the future generation of StarDot IP cameras.

Here is a brief overview of StarDot's history in the digital imaging market:

- Sold more than 300,000 Digital Camera controller chipset between 1996-1997
- Embedded cameras into 2,200 Diebold ATM machines in 1998
- Sold over 1000 cameras to the FAA for pilot safety 2003 - present
- Pioneered Phenology sensor technology with Harvard University in 2012
- Introduced Multi-Channel Long Distance Coaxial technology to the security market in 2013

StarDot Technologies now boasts a product line spanning eight generations, StarDot Technologies will continue to build upon our expansive experience in digital imaging technology. Providing the world a reliable product injected with digital imaging history and over a decade of engineering.

StarDot Technologies: On the forefront of digital imaging since 1994



Product Line-up

SD Series



NetCam SC

MJPEG Box Camera

Color Only

SD130B
SD300B
SD500B

True Day/Night

SD130BN
SD500BN



NetCam SC Vandal Dome

MJPEG IP66 Vandal Dome

Color Only

SD130V
SD300V
SD500V

True Day/Night

SD130VN
SD500VN

Express Video Servers

2/4/8 Channel Analog Video Encoders

SDEXP8
SDEXP4
SDEXP2



SDH Series NetCam SC H.264

MJPEG/H.264 Box Camera

Color Only

SDH130B
SDH300B
SDH500B
SDH1000B

True Day/Night

SDH130BN
SDH300BN
SDH500BN
SDH1000BN



NetCam SC H.264 Vandal Dome

MJPEG/H.264 IP66 Vandal Dome

Color Only

SDH130V
SDH300V
SDH500V
SDH1000V

True Day/Night

SDH130VN
SDH300VN
SDH500VN
SDH1000VN



Panoramic 180

MJPEG/H.264 180 Degree True Day/Night IP66 Vandal Dome

SDH-P180-20MP
SDH-P180-10MP
SDH-P180-6MP
SDH-P180-HD



Product Line-up

SDHM Series



MCLDC Channel Receiver

4 Channel MCLDC Receiver

SDHMSRV04

MCLDC Box Camera

MCLDC Box Camera

Color Only	True Day/Night
SDHM-200B	SDHM-200BN
SDHM-500B	SDHM-500BN



MCLDC Indoor Dome Camera

MCLDC Bullet Camera (available in black and white)

Color Only	True Day/Night
Black	Black
SDHM200R-B	SDHM200RN-B
SDHM500R-B	SDHM500RN-B
White	White
SDHM200R-W	SDHM200RN-W
SDHM500R-W	SDHM500RN-W



MCLDC Bullet Camera

MCLDC Bullet Camera (available in black and white)

Color Only	True Day/Night
Black	Black
SDHM200W-B	SDHM200WN-B
SDHM500W-B	SDHM500WN-B
White	White
SDHM200W-W	SDHM200WN-W
SDHM500W-W	SDHM500WN-W



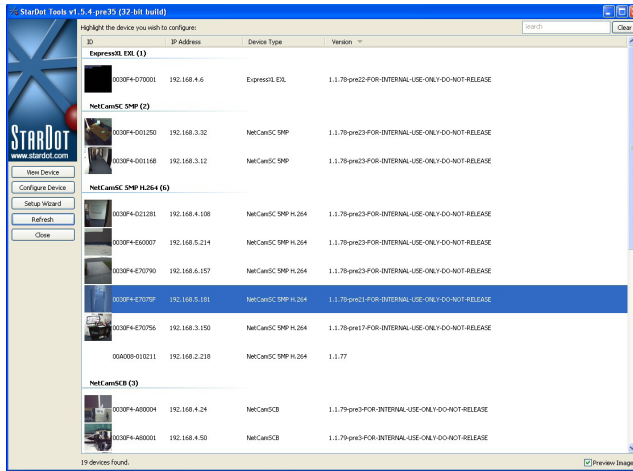
SDHB Series



NetCam SCB

MJPEG/H.264/MPEG-4 ONVIF Box Camera

Color Only	True Day/Night
SDHB-200B	SDHB-200BN
SDHB-500B	SDHB-500BN



StarDot Tools

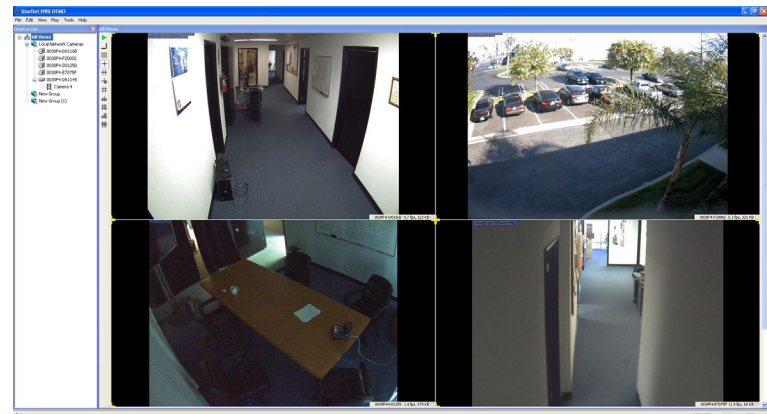
All StarDot products come with StarDot Tools, this utility software will help you set up a StarDot device in just a couple of clicks. StarDot Tools can do the following:

- Scan network for StarDot devices
- Upgrade firmware for multiple devices at once
- Simultaneously configure multiple devices
- Export configuration files / upload configuration files to multiple devices
- View/save system log files

StarDot NVR 16

StarDot NVR 16 is a 16 channel recording software is included free with every Stardot purchase. StarDot NVR16 can be installed on a Windows based PC and will record up to 16 cameras. StarDot NVR 16 has the following features:

- Record up to 16 cameras
- Motion Recording
- Video playback
- Record on schedule
- Export video to AVI



Multi-Channel Long Distance Coaxial™

StarDot Technologies: Pioneering and re-designing the future of video surveillance.

Once again StarDot Technologies has revolutionized security surveillance technology, inspired by the simplicity of traditional CCTV technology and driven by the increasing demand for high resolution digital images within the security surveillance market. StarDot Technologies introduces Multi-Channel Long Distance Coaxial (MCLDC™) technology. StarDot's MCLDC is an industry first, and will revolutionize the way in which security integrators install high resolution security cameras.

What is Multi-Channel Long Distance Coaxial™ technology?

MCLDC will utilize existing coaxial cabling, and will allow up to 16 high resolution cameras to share a single cable run, up to 1000 feet. MCLDC will eliminate the expense of installing network cabling and the time consumed having to assign IP addresses to each individual camera. The high resolution cameras will connect to the StarDot MCLDC Channel Receiver, via coaxial cable and will run at resolutions and frame rates greater than IP cameras. The MCLDC Channel Receiver will connect to the IP network with a single Cat5 cable and will interface with a Network Video Recorder. Each camera will be recognized as an individual channel, and will provide a high resolution (up to 5 megapixel) image to the NVR platform.

How can multiple cameras be connected to one Coax cable?

StarDot engineers recognized that bandwidth constraints with IP camera technology has been one of the biggest drawbacks for most installers. The confusion regarding the limited data pipeline from a network cable has caused frustration for many installers, and many have had to sacrifice frame rate for resolution, or vice versa. Our engineers made a breakthrough using the almost limitless data pipeline already in place in many CCTV installations. Standard coaxial cabling provides a direct connection for multiple channels of digital information, at much greater speeds than an IP network can achieve. StarDot MCLDC cameras can be connected to a single cable with a BNC coupler. The MCLDC Channel Receiver then receives multiple streams of data and splits them into individual H.264 video channels.

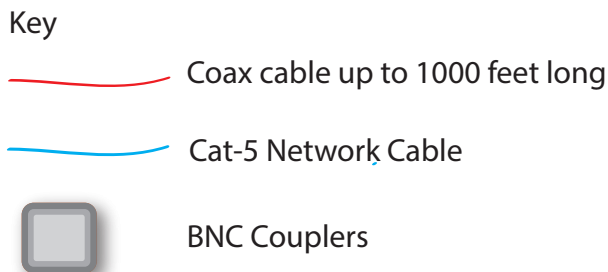
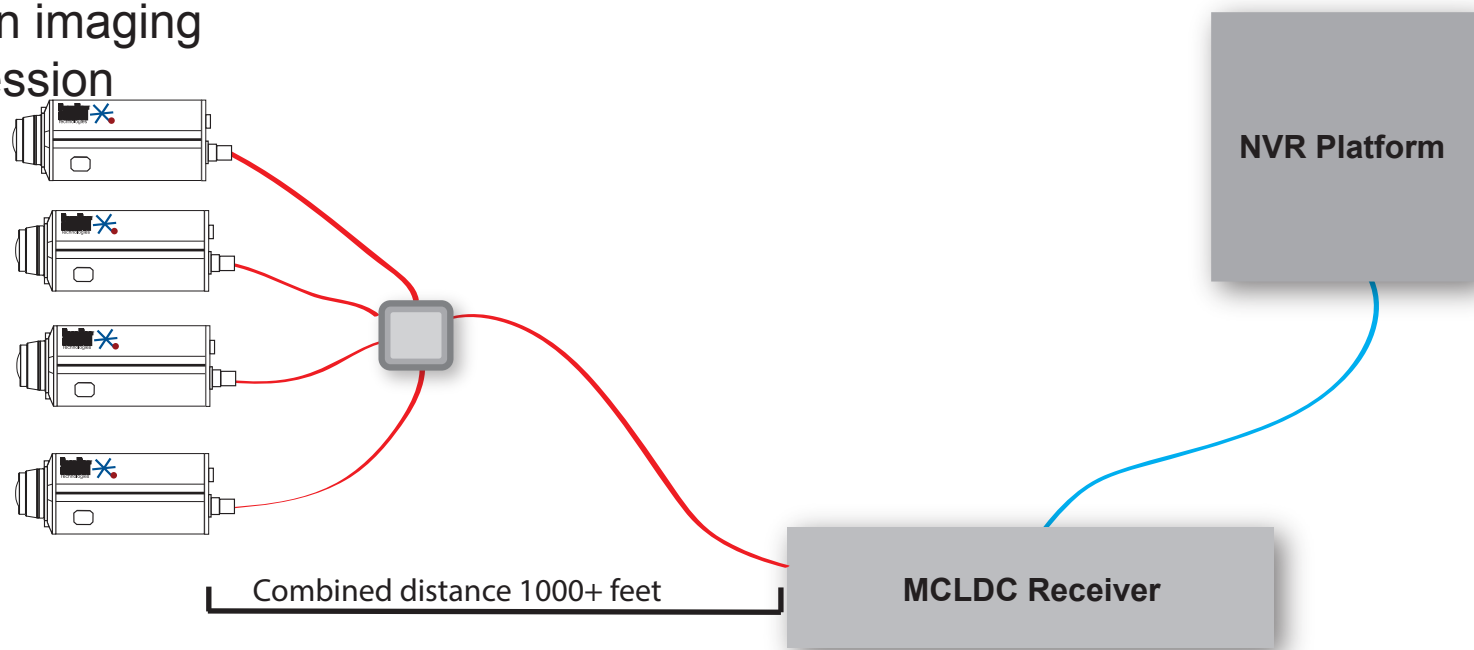
Can it work in noisy Coax cables?

StarDot MCLDC uses 5MHz spreads of multiple frequencies to send the data for each camera. These signals travel easily through the coaxial cable, and are even able to jump short distances across cut cables. All data is transmitted digitally, so no analog interference can take place. Noisy power lines nearby are not a problem. Even within the digital data, special packages of checksums are included to allow reconstruction of any missing 10% (similar to when you download a movie file on the net and it has extra packets). All data is sent two times at different locations in the stream. It's a very robust communications method designed specifically for noise immunity.

Main Benefits of MCLDC Technology

MCLDC

- Utilize existing coaxial cabling
- Run a single coaxial cable up to 1000 feet
- Connect up to 16 cameras with only one cable run
- Greater frame rate than IP possible with increased throughput available through coax
- Plug and Play-no more assigning IP addresses to each individual camera
- Installation method is similar to traditional CCTV installation
- High resolution imaging
- H.264 compression





StarDot MCLDC Indoor Dome
SDHM200R-W SDHM500R-W
SDHM200RN-W SDHM500RN-W
SDHM200R-B SDHM500R-B
SDHM200RN-B SDH500RN-B

Available in Black or White
30fps at 1080p
Connector type : BNC 75ohm
Mechanical IR Cut Filter
12VDC Power



StarDot MCLDC 4 Channel Receiver
SDHMSRV04

Four Channel Receiver
H.264 Compression
RJ45 10/100 Network Connection
1 x BNC 75ohm connection
12VDC
HTTP/ RTSP/ RTP
Motion Detection



MCLDC Bullet Camera
SDHM200WN-W SDHM500WN-W
SDHM200WN-B SDHM500WN-B

Available in Black or White
Connector type : BNC 75ohm
Built in IR LEDs
Mechanical IR Cut Filter
30fps at 1080p
12VDC Power



MCLDC Box Camera
SDHM-200B SDHM-500B
SDHM-200BN SDHM-500BN

30fps at 1080p
Connector type : BNC 75ohm
Mechanical IR Cut Filter
12VDC Power

SDHMSRV04

MCLDC



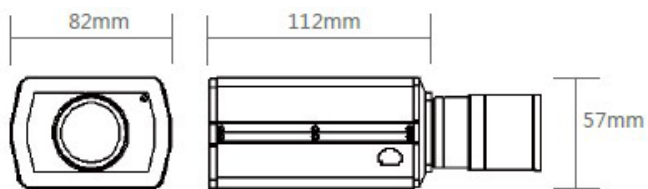
StarDot MCLDC Channel Receiver
 Four Channel MCLDC receiver
 Receives megapixel video
 Retrofit megapixel cameras into a legacy analog installation
 Long distance data transmission via coaxial
 12VDC Power
 1 x Coax input
 ONVIF Compliant

Input		
Number of Channels	4	
Coax Connector Type	1 x 1.0/2.3 DIN female 75ohm	
Power		
Power	12VDC	
Network	RJ45 10/100 Network Connection	
Data Transmission		
H.264	Up to 30fps	
ONVIF 2.0	Yes	
Transfer Protocols	RTSP	
Electrical		
Power Requirements	12VDC	
Cable Impedance	75ohm	
Coax Data Throughput	Rated at 100 Mbps Full Duplex (200Mbps total up + down)	
Physical		
Dimensions	4.2"W (106.6mm) 1.8"H (45.7mm) 5"L (127mm)	
Weight	10 Ounces (283 grams)	
EMI Approval	FCC Class A, CE (EN55024)	
Cable Compatability		
Type	Guage / Core Type	Max. Distance
RG59	23 / Copper or Copper clad steel	150-200m / 500/600ft
RG59	20 / Copper	270-300m / 900-1000ft
RG6	18 / Copper	400-500m / 1300-1600ft
Cable Impedance	75ohm	
Coax Data Throughput	Rated at 100 Mbps Full Duplex (200Mbps total up + down)	



SDHM200B

MCLDC

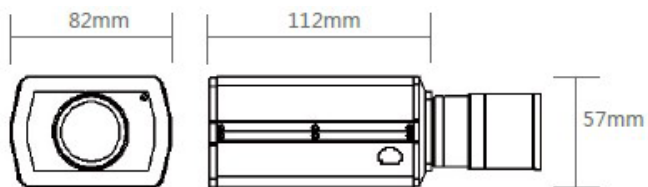


StarDot MCLDC 2MP (1080p) Box Camera
 1920 x 1080 @ 30fps
 Automatic Image Controls
 1/2.5" CMOS Imaging Sensor
 C Mount Lens (CS with adapter)
 Long distance data transmission via coaxial
 12VDC / 24VAC Power
 DC auto iris support
 Low power consumption - 4 watts

Imaging		
Resolution	2 Megapixel 1920 x 1080	
Image Sensor	1/2.5" CMOS Imaging Sensor	
Lens Mount	CS Mount (C mount with adapter)	
Day/Night	Color Only	
Image Properties	Automatic Exposure, Automatic Flicker Reduction, Automatic Gain Control, Automatic Color Balance, Automatic Backlight Compensation, Digital Noise Reduction, Auto Sharpening	
Output		
Coax Connector Type	1.0/2.3 DIN female 75ohm	
BNC Out	2 x BNC out (1 x MCLDC, 1 x analogue)	
Input		
Auto Iris	DC Auto Iris	
Power	12VDC / 24VAC	
Electrical		
Power Requirements	12VDC/ 24VAC	
Physical		
Dimensions	3.23"W (82mm) 2.25"H (57mm) 4.4"L (112mm)	
Weight	14 Ounces (397 grams)	
EMI Approval	FCC Class A, CE (EN55024)	
Operating Temperature	-25° C (-13° F) to 50° C (122° F)	
Cable Compatability		
Type	Guage / Core Type	Max. Distance
RG59	23 / Copper or Copper clad steel	150-200m / 500/600ft
RG59	20 / Copper	270-300m / 900-1000ft
RG6	18 / Copper	400-500m / 1300-1600ft
Cable Impedance	75ohm	
Coax Data Throughput	Rated at 100 Mbps Full Duplex (200Mbps total up + down)	

SDHM200BN

MCLDC



StarDot MCLDC 2MP (1080p) True Day/Night Box Camera
 1920 x 1080 @ 30fps
 Automatic Image Controls
 1/2.5" CMOS Imaging Sensor
 True Day/Night
 C Mount Lens (CS with adapter)
 Long distance data transmission via coaxial
 12VDC / 24VAC Power
 DC auto iris support
 Low power consumption - 4 watts

Imaging		
Resolution	2 Megapixel 1920 x 1080	
Image Sensor	1/2.5" CMOS Imaging Sensor	
Lens Mount	CS Mount (C mount with adapter)	
Day/Night	Yes, True Day/Night Mechanical IR Filter	
Lux Rating	0.3lux Color, 0.0lux with IR engaged	
Image Properties	Automatic Exposure, Automatic Flicker Reduction, Automatic Gain Control, Automatic Color Balance, Automatic Backlight Compensation, Digital Noise Reduction, Auto Sharpening	
Output		
Coax Connector Type	1.0/2.3 DIN female 75ohm	
BNC Out	2 x BNC out (1 x MCLDC, 1 x analogue)	
Input		
Auto Iris	DC Auto Iris	
Power	12VDC / 24VAC	
Electrical		
Power Requirements	12VDC / 24VAC	
Physical		
Dimensions	3.23"W (82mm) 2.25"H (57mm) 4.4"L (112mm)	
Weight	14 Ounces (397 grams)	
EMI Approval	FCC Class A, CE (EN55022/1998)	
Operating Temperature	-25° C (-13° F) to 50° C (122° F).	
Cable Compatability		
Type	Guage / Core Type	Max. Distance
RG59	23 / Copper or Copper clad steel	150-200m / 500/600ft
RG59	20 / Copper	270-300m / 900-1000ft
RG6	18 / Copper	400-500m / 1300-1600ft
Cable Impedance	75ohm	
Coax Data Through-put	Rated at 100 Mbps Full Duplex (200Mbps total up + down)	

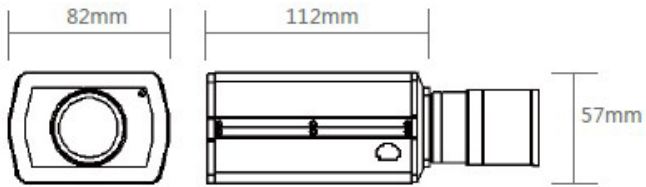


SDHM500B

MCLDC



Available Q3 2013



StarDot MCLDC 5MP Box Camera
 2592x1920 @ 10fps
 Automatic Image Controls
 1/2.5" CMOS Imaging Sensor
 C Mount Lens (CS with adapter)
 Long distance data transmission via coaxial
 12VDC / 24VAC Power
 DC auto iris support
 Low power consumption - 4 watts

Imaging		
Resolution	5 Megapixel 2592 x 1920	
Image Sensor	1/2.5" CMOS Imaging Sensor	
Lens Mount	CS Mount (C mount with adapter)	
Day/Night	Color Only	
Image Properties	Automatic Exposure, Automatic Flicker Reduction, Automatic Gain Control, Automatic Color Balance, Automatic Backlight Compensation, Digital Noise Reduction, Auto Sharpening	
Output		
Coax Connector Type	1.0/2.3 DIN female 75ohm	
BNC Out	2 x BNC out (1 x MCLDC, 1 x analogue)	
Input		
Auto Iris	DC Auto Iris	
Power	12VDC / 24VAC	
Electrical		
Power Requirements	12VDC	
Physical		
Dimensions	3.23"W (82mm) 2.25"H (57mm) 4.4"L (112mm)	
Weight	14 Ounces (397 grams)	
EMI Approval	FCC Class A, CE (EN55022/1998)	
Operating Temperature	-25° C (-13° F) to 50° C (122° F).	
Cable Compatability		
Type	Guage / Core Type	Max. Distance
RG59	23 / Copper or Copper clad steel	150-200m / 500/600ft
RG59	20 / Copper	270-300m / 900-1000ft
RG6	18 / Copper	400-500m / 1300-1600ft
Cable Impedance	75ohm	
Coax Data Throughput	Rated at 100 Mbps Full Duplex (200Mbps total up + down)	

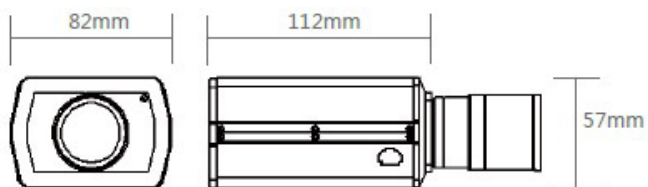


SDHM500BN

MCLDC



Available Q3 2013



StarDot MCLDC 5MP True Day/Night Box Camera
 2592x1920 @ 10fps
 Automatic Image Controls
 1/2.5" CMOS Imaging Sensor
 True Day/Night
 C Mount Lens (CS with adapter)
 Long distance data transmission via coaxial
 12VDC / 24VAC Power
 DC auto iris support
 Low power consumption - 4 watts

Imaging		
Resolution	5 Megapixel 2592 x 1920	
Image Sensor	1/2.5" CMOS Imaging Sensor	
Lens Mount	CS Mount (C mount with adapter)	
Day/Night	Yes, True Day/Night Mechanical IR Filter	
Lux Rating	0.3lux Color, 0.0lux with IR engaged	
Image Properties	Automatic Exposure, Automatic Flicker Reduction, Automatic Gain Control, Automatic Color Balance, Automatic Backlight Compensation, Digital Noise Reduction, Auto Sharpening	
Output		
Coax Connector Type	1.0/2.3 DIN female 75ohm	
BNC Out	2 x BNC out (1 x MCLDC, 1 x analogue)	
Input		
Auto Iris	DC Auto Iris	
Power	12VDC / 24VAC	
Electrical		
Power Requirements	12VDC	
Physical		
Dimensions	3.23"W (82mm) 2.25"H (57mm) 4.4"L (112mm)	
Weight	14 Ounces (397 grams)	
EMI Approval	FCC Class A, CE (EN55022/1998)	
Operating Temperature	-25° C (-13° F) to 50° C (122° F).	
Cable Compatability		
Type	Guage / Core Type	Max. Distance
RG59	23 / Copper or Copper clad steel	150-200m / 500/600ft
RG59	20 / Copper	270-300m / 900-1000ft
RG6	18 / Copper	400-500m / 1300-1600ft
Cable Impedance	75ohm	
Coax Data Throughput	Rated at 100 Mbps Full Duplex (200Mbps total up + down)	



SDHM200WN-W

MCLDC



StarDot MCLDC 2MP (1080p) White True Day/Night IR Bullet Camera
1920 x 1080 @ 30fps
3.5mm-10mm Lens
Automatic Image Controls
1/2.5" CMOS Imaging Sensor
True Day/Night
Ambient light sensor for reliable IR mode switching
IR LED Illuminator
Board Mount Lens
Long distance data transmission via coaxial
12VDC / 24VAC Power
Low power consumption - 4 Watts without IR / 5.5 Watts with IR on

Imaging		
Resolution	2 Megapixel 1920 x 1080	
Image Sensor	1/2.5" CMOS Imaging Sensor	
Lens Mount	Board Mount	
Lens	3.5mm-10mm	
Day/Night	Automatic Mechanical IR with IR LED Illuminator	
Lux Rating	0.1 lux (LSHG mode), 0 visible lux with IR enabled	
Image Properties	Automatic Exposure, Automatic Flicker Reduction, Automatic Gain Control, Automatic Color Balance, Automatic Backlight Compensation, Digital Noise Reduction, Auto Sharpening	
Output		
Coax Connector Type	1.0/2.3 DIN female 75ohm	
BNC Out	2 x BNC out (1 x MCLDC, 1 x analogue)	
Input		
Power	12VDC / 24VAC	
Electrical		
Power Requirements	12VDC / 24VAC	
EMI Approval	FCC Class A, CE (EN55022/1998)	
Operating Temperature	-25° C (-13° F) to 50° C (122° F).	
Cable Compatability		
Type	Guage / Core Type	Max. Distance
RG59	23 / Copper or Copper clad steel	150-200m / 500/600ft
RG59	20 / Copper	270-300m / 900-1000ft
RG6	18 / Copper	400-500m / 1300-1600ft
Cable Impedance	75ohm	
Coax Data Throughput	Rated at 100 Mbps Full Duplex (200Mbps total up + down)	

SDHM200WN-B

MCLDC



StarDot MCLDC 2MP (1080p) Black True Day/Night IR Bullet Camera
1920 x 1080 @ 30fps
3.5mm-10mm Lens
Automatic Image Controls
1/2.5" CMOS Imaging Sensor
True Day/Night
Ambient light sensor for reliable IR mode switching
IR LED Illuminator
Board Mount Lens
Long distance data transmission via coaxial
12VDC / 24VAC Power
Low power consumption - 4 Watts without IR / 5.5 Watts with IR on

Imaging		
Resolution	2 Megapixel 1920 x 1080	
Image Sensor	1/2.5" CMOS Imaging Sensor	
Lens Mount	Board Mount	
Lens	3.5mm-10mm	
Day/Night	Automatic Mechanical IR with IR LED Illuminator	
Lux Rating	0.1 lux (LSHG mode), 0 visible lux with IR enabled	
Image Properties	Automatic Exposure, Automatic Flicker Reduction, Automatic Gain Control, Automatic Color Balance, Automatic Backlight Compensation, Digital Noise Reduction, Auto Sharpening	
Output		
Coax Connector Type	1.0/2.3 DIN female 75ohm	
BNC Out	2 x BNC out (1 x MCLDC, 1 x analogue)	
Input		
Power	12VDC / 24VAC	
Electrical		
Power Requirements	12VDC / 24VAC	
EMI Approval	FCC Class A, CE (EN55022/1998)	
Operating Temperature	-25° C (-13° F) to 50° C (122° F).	
Cable Compatability		
Type	Guage / Core Type	Max. Distance
RG59	23 / Copper or Copper clad steel	150-200m / 500/600ft
RG59	20 / Copper	270-300m / 900-1000ft
RG6	18 / Copper	400-500m / 1300-1600ft
Cable Impedance	75ohm	
Coax Data Throughput	Rated at 100 Mbps Full Duplex (200Mbps total up + down)	

SDHM500WN-W

MCLDC



Available Q3 2013

StarDot MCLDC 5 Megapixel White True Day/Night IR Bullet Camera
2592x1920 @ 10fps
3.5mm-10mm Lens
Automatic Image Controls
1/2.5" CMOS Imaging Sensor
True Day/Night
Ambient light sensor for reliable IR mode switching
IR LED Illuminator
Board Mount Lens
Long distance video transmission via coaxial
12VDC / 24VAC Power
Low power consumption - 4 Watts without IR / 5.5 Watts with IR on

Imaging		
Resolution	5 Megapixel 2592 x 1920	
Image Sensor	1/2.5" CMOS Imaging Sensor	
Lens Mount	Board Mount	
Lens	3.5mm-10mm	
Day/Night	Automatic Mechanical IR with IR LED Illuminator	
Lux Rating	0.1 lux (LSHG mode), 0 visible lux with IR enabled	
Image Properties	Automatic Exposure, Automatic Flicker Reduction, Automatic Gain Control, Automatic Color Balance, Automatic Backlight Compensation, Digital Noise Reduction, Auto Sharpening	
Output		
Coax Connector Type	1 x 1.0/2.3 DIN female 75ohm	
BNC Out	2 x BNC out (1 x MCLDC, 1 x analogue)	
Input		
Power	12VDC / 24VAC	
Electrical		
Power Requirements	12VDC / 24VAC	
EMI Approval	FCC Class A, CE (EN55022/1998)	
Operating Temperature	-25° C (-13° F) to 50° C (122° F).	
Cable Compatability		
Type	Guage / Core Type	Max. Distance
RG59	23 / Copper or Copper clad steel	150-200m / 500/600ft
RG59	20 / Copper	270-300m / 900-1000ft
RG6	18 / Copper	400-500m / 1300-1600ft
Cable Impedance	75ohm	
Coax Data Throughput	Rated at 100 Mbps Full Duplex (200Mbps total up + down)	

SDHM500WN-B

MCLDC



Available Q3 2013

- StarDot MCLDC 5 Megapixel Black True Day/Night IR Bullet Camera
- 2592x1920 @ 10fps
- 3.5mm-10mm Lens
- Automatic Image Controls
- 1/2.5" CMOS Imaging Sensor
- True Day/Night
- Ambient light sensor for reliable IR mode switching
- IR LED Illuminator
- Board Mount Lens
- Long distance video transmission via coaxial
- 12VDC / 24VAC Power
- Low power consumption - 4 Watts without IR / 5.5 Watts with IR on

Imaging		
Resolution	5 Megapixel 2592 x 1920	
Image Sensor	1/2.5" CMOS Imaging Sensor	
Lens Mount	Board Mount	
Lens	3.5mm-10mm	
Day/Night	Automatic Mechanical IR with IR LED Illuminator	
Lux Rating	0.1 lux (LSHG mode), 0 visible lux with IR enabled	
Image Properties	Automatic Exposure, Automatic Flicker Reduction, Automatic Gain Control, Automatic Color Balance, Automatic Backlight Compensation, Digital Noise Reduction, Auto Sharpening	
Output		
Coax Connector Type	1 x 1.0/2.3 DIN female 75ohm	
BNC Out	2 x BNC out (1 x MCLDC, 1 x analogue)	
Input		
Power	12VDC / 24VAC	
Electrical		
Power Requirements	12VDC / 24VAC	
EMI Approval	FCC Class A, CE (EN55022/1998)	
Operating Temperature	-25° C (-13° F) to 50° C (122° F).	
Cable Compatability		
Type	Guage / Core Type	Max. Distance
RG59	23 / Copper or Copper clad steel	150-200m / 500/600ft
RG59	20 / Copper	270-300m / 900-1000ft
RG6	18 / Copper	400-500m / 1300-1600ft
Cable Impedance	75ohm	
Coax Data Throughput	Rated at 100 Mbps Full Duplex (200Mbps total up + down)	



SDHM200R-W

MCLDC



StarDot MCLDC 2 Megapixel (1080p) White Indoor Dome Camera
1920 x 1080 @ 30fps
3.5mm-10mm Lens
Automatic Image Controls
Twilt / Swivel Lens Mount
1/2.5" CMOS Imaging Sensor
Board Mount Lens
Long distance video transmission via coaxial (up to 1000ft)
12VDC / 24VAC Power
Low power consumption - 4 watts

Imaging

Resolution	2 Megapixel 1920 x 1080
Image Sensor	1/2.5" CMOS Imaging Sensor
Lens Mount	Board Mount
Day/Night	Color Only
Lens	3.5mm-10mm
Lux Rating	0.1 lux (LSHG mode), 0 visible lux with IR enabled
Image Properties	Automatic Exposure, Automatic Flicker Reduction, Automatic Gain Control, Automatic Color Balance, Automatic Backlight Compensation, Digital Noise Reduction, Auto Sharpening

Output

Coax Connector Type	1 x 1.0/2.3 DIN female 75ohm
BNC Out	2 x BNC out (1 x MCLDC, 1 x analogue)

Input

Power	12VDC / 24VAC
-------	---------------

Electrical

Power Requirements	12VDC / 24VAC
EMI Approval	FCC Class A, CE (EN55022/1998)
Operating Temperature	-25° C (-13° F) to 50° C (122° F).

Cable Compatability

Type	Guage / Core Type	Max. Distance
RG59	23 / Copper or Copper clad steel	150-200m / 500/600ft
RG59	20 / Copper	270-300m / 900-1000ft
RG6	18 / Copper	400-500m / 1300-1600ft
Cable Impedance	75ohm	
Coax Data Throughput	Rated at 100 Mbps Full Duplex (200Mbps total up + down)	

SDHM200R-B

MCLDC



StarDot MCLDC 2 Megapixel (1080p) Black Indoor Dome Camera
1920 x 1080 @ 30fps
3.5mm-10mm Lens
Automatic Image Controls
Twilt / Swivel Lens Mount
1/2.5" CMOS Imaging Sensor
Board Mount Lens
Long distance video transmission via coaxial (up to 1000ft)
12VDC / 24VAC Power
Low power consumption - 4 watts

Imaging		
Resolution	2 Megapixel 1920 x 1080	
Image Sensor	1/2.5" CMOS Imaging Sensor	
Lens Mount	Board Mount	
Day/Night	Color Only	
Lens	3.5mm-10mm	
Lux Rating	0.1 lux (LSHG mode), 0 visible lux with IR enabled	
Image Properties	Automatic Exposure, Automatic Flicker Reduction, Automatic Gain Control, Automatic Color Balance, Automatic Backlight Compensation, Digital Noise Reduction, Auto Sharpening	
Output		
Coax Connector Type	1 x 1.0/2.3 DIN female 75ohm	
BNC Out	2 x BNC out (1 x MCLDC, 1 x analogue)	
Input		
Power	12VDC / 24VAC	
Electrical		
Power Requirements	12VDC / 24VAC	
EMI Approval	FCC Class A, CE (EN55022/1998)	
Operating Temperature	-25° C (-13° F) to 50° C (122° F).	
Cable Compatability		
Type	Guage / Core Type	Max. Distance
RG59	23 / Copper or Copper clad steel	150-200m / 500/600ft
RG59	20 / Copper	270-300m / 900-1000ft
RG6	18 / Copper	400-500m / 1300-1600ft
Cable Impedance	75ohm	
Coax Data Throughput	Rated at 100 Mbps Full Duplex (200Mbps total up + down)	

SDHM200RN-W

MCLDC



StarDot MCLDC 2 Megapixel (1080p) White Indoor Dome Camera
1920 x 1080 @ 30fps
3.5mm-10mm Lens
Automatic Image Controls
1/2.5" CMOS Imaging Sensor
True Day/Night
Ambient light sensor for reliable IR mode switching
IR LED Illuminator
Board Mount Lens
Long distance video transmission via coaxial
12VDC / 24VAC Power
Low power consumption - 4 Watts without IR / 5.5 Watts with IR on

Imaging		
Resolution	2 Megapixel 1920 x 1080	
Image Sensor	1/2.5" CMOS Imaging Sensor	
Lens Mount	Board Mount	
Lens	3.5mm-10mm	
Day/Night	Color Only	
Lux Rating	0.1 lux (LSHG mode), 0 visible lux with IR enabled	
Image Properties	Automatic Exposure, Automatic Flicker Reduction, Automatic Gain Control, Automatic Color Balance, Automatic Backlight Compensation, Digital Noise Reduction, Auto Sharpening	
Output		
Coax Connector Type	1 x 1.0/2.3 DIN female 75ohm	
BNC Out	2 x BNC out (1 x MCLDC, 1 x analogue)	
Input		
Power	12VDC / 24VAC	
Electrical		
Power Requirements	12VDC / 24VAC	
EMI Approval	FCC Class A, CE (EN55022/1998)	
Operating Temperature	-25° C (-13° F) to 50° C (122° F).	
Cable Compatability		
Type	Guage / Core Type	Max. Distance
RG59	23 / Copper or Copper clad steel	150-200m / 500/600ft
RG59	20 / Copper	270-300m / 900-1000ft
RG6	18 / Copper	400-500m / 1300-1600ft
Cable Impedance	75ohm	
Coax Data Throughput	Rated at 100 Mbps Full Duplex (200Mbps total up + down)	



SDHM200RN-B

MCLDC



StarDot MCLDC 2 Megapixel (1080p) Black Indoor Dome Camera
1920 x 1080 @ 30fps
3.5mm-10mm Lens
Automatic Image Controls
1/2.5" CMOS Imaging Sensor
True Day/Night
Ambient light sensor for reliable IR mode switching
IR LED Illuminator
Board Mount Lens
Long distance video transmission via coaxial
12VDC / 24VAC Power
Low power consumption - 4 Watts without IR / 5.5 Watts with IR on

Imaging		
Resolution	2 Megapixel 1920 x 1080	
Image Sensor	1/2.5" CMOS Imaging Sensor	
Lens Mount	Board Mount	
Lens	3.5mm-10mm	
Day/Night	Color Only	
Lux Rating	0.1 lux (LSHG mode), 0 visible lux with IR enabled	
Image Properties	Automatic Exposure, Automatic Flicker Reduction, Automatic Gain Control, Automatic Color Balance, Automatic Backlight Compensation, Digital Noise Reduction, Auto Sharpening	
Output		
Coax Connector Type	1 x 1.0/2.3 DIN female 75ohm	
BNC Out	2 x BNC out (1 x MCLDC, 1 x analogue)	
Input		
Power	12VDC / 24VAC	
Electrical		
Power Requirements	12VDC / 24VAC	
EMI Approval	FCC Class A, CE (EN55022/1998)	
Operating Temperature	-25° C (-13° F) to 50° C (122° F).	
Cable Compatability		
Type	Guage / Core Type	Max. Distance
RG59	23 / Copper or Copper clad steel	150-200m / 500/600ft
RG59	20 / Copper	270-300m / 900-1000ft
RG6	18 / Copper	400-500m / 1300-1600ft
Cable Impedance	75ohm	
Coax Data Throughput	Rated at 100 Mbps Full Duplex (200Mbps total up + down)	

SDHM500R-W

MCLDC



Available Q3 2013

StarDot MCLDC 5 Megapixel White Indoor Dome Camera
2592 x 1920 @ 10fps
3.5mm-10mm Lens
Automatic Image Controls
Twilt / Swivel Lens Mount
1/2.5" CMOS Imaging Sensor
Board Mount Lens
Long distance video transmission via coaxial (up to 1000ft)
12VDC / 24VAC Power
Low power consumption - 4 watts

Imaging		
Resolution	5 Megapixel 2592 x 1920	
Image Sensor	1/2.5" CMOS Imaging Sensor	
Lens Mount	Board Mount	
Lens	3.5mm-10mm	
Day/Night	Color Only	
Lux Rating	0.1 lux (LSHG mode), 0 visible lux with IR enabled	
Image Properties	Automatic Exposure, Automatic Flicker Reduction, Automatic Gain Control, Automatic Color Balance, Automatic Backlight Compensation, Digital Noise Reduction, Auto Sharpening	
Output		
Coax Connector Type	1 x 1.0/2.3 DIN female 75ohm	
BNC Out	2 x BNC out (1 x MCLDC, 1 x analogue)	
Input		
Power	12VDC / 24VAC	
Electrical		
Power Requirements	12VDC / 24VAC	
EMI Approval	FCC Class A, CE (EN55022/1998)	
Operating Temperature	-25° C (-13° F) to 50° C (122° F).	
Cable Compatability		
Type	Guage / Core Type	Max. Distance
RG59	23 / Copper or Copper clad steel	150-200m / 500/600ft
RG59	20 / Copper	270-300m / 900-1000ft
RG6	18 / Copper	400-500m / 1300-1600ft
Cable Impedance	75ohm	
Coax Data Throughput	Rated at 100 Mbps Full Duplex (200Mbps total up + down)	



SDHM500R-B

MCLDC



Available Q3 2013

StarDot MCLDC 5 Megapixel Black Indoor Dome Camera
2592 x 1920 @ 10fps
3.5mm-10mm Lens
Automatic Image Controls
Tilt / Swivel Lens Mount
1/2.5" CMOS Imaging Sensor
Board Mount Lens
Long distance video transmission via coaxial (up to 1000ft)
12VDC / 24VAC Power
Low power consumption - 4 watts

Imaging		
Resolution	5 Megapixel 2592 x 1920	
Image Sensor	1/2.5" CMOS Imaging Sensor	
Lens Mount	Board Mount	
Lens	3.5mm-10mm	
Day/Night	Color Only	
Lux Rating	0.1 lux (LSHG mode), 0 visible lux with IR enabled	
Image Properties	Automatic Exposure, Automatic Flicker Reduction, Automatic Gain Control, Automatic Color Balance, Automatic Backlight Compensation, Digital Noise Reduction, Auto Sharpening	
Output		
Coax Connector Type	1 x 1.0/2.3 DIN female 75ohm	
BNC Out	2 x BNC out (1 x MCLDC, 1 x analogue)	
Input		
Power	12VDC / 24VAC	
Electrical		
Power Requirements	12VDC / 24VAC	
EMI Approval	FCC Class A, CE (EN55022/1998)	
Operating Temperature	-25° C (-13° F) to 50° C (122° F).	
Cable Compatability		
Type	Guage / Core Type	Max. Distance
RG59	23 / Copper or Copper clad steel	150-200m / 500/600ft
RG59	20 / Copper	270-300m / 900-1000ft
RG6	18 / Copper	400-500m / 1300-1600ft
Cable Impedance	75ohm	
Coax Data Throughput	Rated at 100 Mbps Full Duplex (200Mbps total up + down)	



SDHM500RN-W

MCLDC



Available Q3 2013

StarDot MCLDC 5 Megapixel White Indoor Dome Camera
2592x1920 @ 10fps
3.5mm-10mm Lens
Automatic Image Controls
1/2.5" CMOS Imaging Sensor
True Day/Night
Ambient light sensor for reliable IR mode switching
IR LED Illuminator
Board Mount Lens
Long distance video transmission via coaxial
12VDC / 24VAC Power
Low power consumption - 4 Watts without IR / 5.5 Watts with IR on

Imaging		
Resolution	5 Megapixel 2592 x 1920	
Image Sensor	1/2.5" CMOS Imaging Sensor	
Lens Mount	Board Mount	
Lens	3.5mm-10mm	
Day/Night	Color Only	
Lux Rating	0.1 lux (LSHG mode), 0 visible lux with IR enabled	
Image Properties	Automatic Exposure, Automatic Flicker Reduction, Automatic Gain Control, Automatic Color Balance, Automatic Backlight Compensation, Digital Noise Reduction, Auto Sharpening	
Output		
Coax Connector Type	1 x 1.0/2.3 DIN female 75ohm	
BNC Out	2 x BNC out (1 x MCLDC, 1 x analogue)	
Input		
Power	12VDC / 24VAC	
Electrical		
Power Requirements	12VDC / 24VAC	
EMI Approval	FCC Class A, CE (EN55022/1998)	
Operating Temperature	-25° C (-13° F) to 50° C (122° F).	
Cable Compatability		
Type	Guage / Core Type	Max. Distance
RG59	23 / Copper or Copper clad steel	150-200m / 500/600ft
RG59	20 / Copper	270-300m / 900-1000ft
RG6	18 / Copper	400-500m / 1300-1600ft
Cable Impedance	75ohm	
Coax Data Throughput	Rated at 100 Mbps Full Duplex (200Mbps total up + down)	



SDHM500RN-B

MCLDC



Available Q3 2013

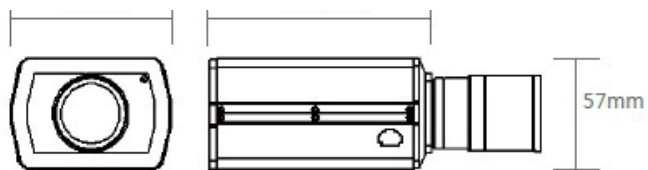
StarDot MCLDC 5 Megapixel Black Indoor Dome Camera
2592x1920 @ 10fps
3.5mm-10mm Lens
Automatic Image Controls
1/2.5" CMOS Imaging Sensor
True Day/Night
Ambient light sensor for reliable IR mode switching
IR LED Illuminator
Board Mount Lens
Long distance video transmission via coaxial
12VDC / 24VAC Power
Low power consumption - 4 Watts without IR / 5.5 Watts with IR on

Imaging		
Resolution	5 Megapixel 2592 x 1920	
Image Sensor	1/2.5" CMOS Imaging Sensor	
Lens Mount	Board Mount	
Lens	3.5mm-10mm	
Day/Night	Color Only	
Lux Rating	0.1 lux (LSHG mode), 0 visible lux with IR enabled	
Image Properties	Automatic Exposure, Automatic Flicker Reduction, Automatic Gain Control, Automatic Color Balance, Automatic Backlight Compensation, Digital Noise Reduction, Auto Sharpening	
Output		
Coax Connector Type	1 x 1.0/2.3 DIN female 75ohm	
BNC Out	2 x BNC out (1 x MCLDC, 1 x analogue)	
Input		
Power	12VDC / 24VAC	
Electrical		
Power Requirements	12VDC / 24VAC	
EMI Approval	FCC Class A, CE (EN55022/1998)	
Operating Temperature	-25° C (-13° F) to 50° C (122° F).	
Cable Compatability		
Type	Guage / Core Type	Max. Distance
RG59	23 / Copper or Copper clad steel	150-200m / 500/600ft
RG59	20 / Copper	270-300m / 900-1000ft
RG6	18 / Copper	400-500m / 1300-1600ft
Cable Impedance	75ohm	
Coax Data Throughput	Rated at 100 Mbps Full Duplex (200Mbps total up + down)	



SD130B

MJPEG



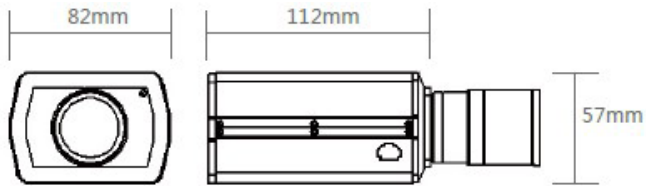
- Up to 1.3 Megapixel - 1296x960
- MJPEG Compression
- Hybrid IP - Stream analogue & IP Simultaneously
- Outputs 1080p, 720p and NTSC / PAL
- Internal events trigger Email / FTP
- Color Only
- External relay/alarm input
- Automatic FTP Upload
- PoE, 12VDC or 24VAC power
- Integrated video motion detection
- Privacy Mask
- Rugged, Durable Design
- 40 °F - 120 °F with no Heater/Blower
- DC auto iris support
- Low power consumption - 4 watts

Imaging	
Imaging Sensor	1/2.5 CMOS Sensor
Lens Mount	CS Mount (C mount with adapter)
Maximum Resolution	1296x960 @ 30fps
BNC Video	Yes
Image Control	Auto Exposure, Auto Color Balance, Smart Sharpening
Contrast Control	Contrast Adjustment, Brightness adjustment, Digital Noise Reduction, Adaptive Imaging
Day/Night	Color Only
Flicker Control	Selectable
Privacy Mask	Hardware mask, 16x16 zone
Motion Detection	Hardware motion detection, 16x16 zone
Data Transmission	
MJPEG	Up to 30fps
Interface Standard	PSIA
Transfer Protocols	FTP, HTTP, FTP
Connectivity	
Ethernet Connection	10/100-baseT, RJ45, PoE 802.3af
BNC Out	Output PAL and NTSC Video
Serial Connection	RS-232 Serial, DB9 Male, up to 115.2kb
Power	Auxiliary DC / Legacy AC / PoE
Alarm Input	1 x fully isolated alarm input
Relay	1 x fully isolated relay
Auto Iris	DC auto iris connector
Physical	
Dimensions	3.23"W (82mm) 2.25"H (57mm) 4.4"L (112mm)
Weight	14 Ounces (397 grams)
Operating Temperature	-40°F to 120°F (-40°C-50°C) Without Heater / Blower
Power Requirements	12VDC / 24VAC / PoE
POE	Class 3
Power Consumption	4 Watts
EMI Approval	FCC Class A, CE (EN55024)



SD130BN

MJPEG



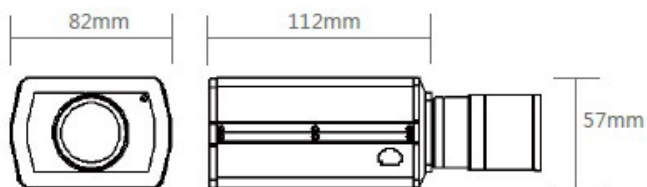
- Up to 1.3 Megapixel - 1296x960
- MJPEG Compression
- Hybrid IP - Stream analogue & IP Simultaneously
- Outputs 1080p, 720p and NTSC / PAL
- Internal events trigger Email / FTP
- Mechanical IR Filter
- External relay/alarm input
- Automatic FTP Upload
- PoE, 12VDC or 24VAC power
- Integrated video motion detection
- Privacy Mask
- Rugged, Durable Design
- 40 °F - 120 °F with no Heater/Blower
- DC auto iris support
- Low power consumption - 4 watts

Imaging	
Imaging Sensor	1/2.5 CMOS Sensor
Lens Mount	CS Mount (C mount with adapter)
Maximum Resolution	1296x960 @30fps
BNC Video	Yes
Image Control	Auto Exposure, Auto Color Balance, Smart Sharpening
Contrast Control	Contrast Adjustment, Brightness adjustment, Digital Noise Reduction, Adaptive Imaging
Day/Night	Yes, True Day/Night Mechanical IR Filter
Lux Rating	0.3lux Color, 0.0lux with IR engaged
Flicker Control	Selectable
Privacy Mask	Hardware mask, 16x16 zone
Motion Detection	Hardware motion detection, 16x16 zone
Data Transmission	
MJPEG	Up to 30fps
Interface Standard	PSIA
Transfer Protocols	FTP, HTTP, FTP, RTSP
Connectivity	
Ethernet Connection	10/100-baseT, RJ45, PoE 802.3af
BNC Out	Output PAL and NTSC Video
Serial Connection	RS-232 Serial, DB9 Male, up to 115.2kb
Power	Auxiliary DC / Legacy AC / PoE
Alarm Input	1 x fully isolated alarm input
Relay	1 x fully isolated relay
Auto Iris	DC auto iris connector
Physical	
Dimensions	3.23"W (82mm) 2.25"H (57mm) 4.4"L (112mm)
Weight	14 Ounces (397 grams)
Operating Temperature	-40°F to 120°F (-40°C-50°C) Without Heater / Blower
Power Requirements	12VDC / 24VAC / PoE
POE	Class 3
Power Consumption	4 Watts
EMI Approval	FCC Class A, CE (EN55024)



SD300B

MJPEG



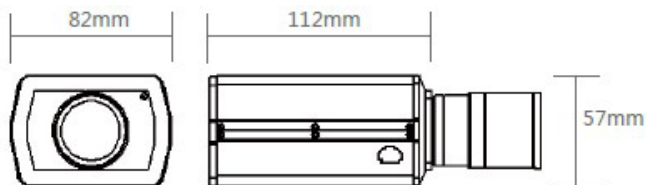
- Up to 3 Megapixel - 2048x1536
- MJPEG Compression
- Hybrid IP - Stream analogue & IP Simultaneously
- Outputs 1080p, 720p and NTSC / PAL
- Internal events trigger Email / FTP
- Color Only
- External relay/alarm input
- Automatic FTP Upload
- PoE, 12VDC or 24VAC power
- Integrated video motion detection
- Privacy Mask
- Rugged, Durable Design
- 40 °F - 120 °F with no Heater/Blower
- DC auto iris support
- Low power consumption - 4 watts

Imaging	
Imaging Sensor	1/2.5 CMOS Sensor
Lens Mount	CS Mount (C mount with adapter)
Maximum Resolution	2048x1536 @ 12fps
BNC Video	Yes
Image Control	Auto Exposure, Auto Color Balance, Smart Sharpening
Contrast Control	Contrast Adjustment, Brightness adjustment, Digital Noise Reduction, Adaptive Imaging
Day/Night	Color Only
Flicker Control	Selectable
Privacy Mask	Hardware mask, 16x16 zone
Motion Detection	Hardware motion detection, 16x16 zone
Data Transmission	
MJPEG	Up to 30fps
Interface Standard	PSIA
Transfer Protocols	FTP, HTTP, FTP
Connectivity	
Ethernet Connection	10/100-baseT, RJ45, PoE 802.3af
BNC Out	Output PAL and NTSC Video
Serial Connection	RS-232 Serial, DB9 Male, up to 115.2kb
Power	Auxiliary DC / Legacy AC / PoE
Alarm Input	1 x fully isolated alarm input
Relay	1 x fully isolated relay
Auto Iris	DC auto iris connector
Physical	
Dimensions	3.23"W (82mm) 2.25"H (57mm) 4.4"L (112mm)
Weight	14 Ounces (397 grams)
Operating Temperature	-40°F to 120°F (-40°C-50°C) Without Heater / Blower
Power Requirements	12VDC / 24VAC / PoE
POE	Class 3
Power Consumption	4 Watts
EMI Approval	FCC Class A, CE (EN55024)



SD500B

MJPEG



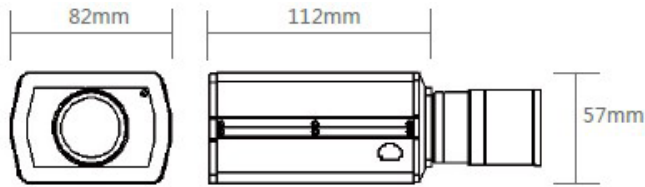
- Up to 5 Megapixel - 2560x1944
- MJPEG Compression
- Hybrid IP - Stream analogue & IP Simultaneously
- Outputs 1080p, 720p and NTSC / PAL
- Internal events trigger Email / FTP
- Color Only
- External relay/alarm input
- Automatic FTP Upload
- PoE, 12VDC or 24VAC power
- Integrated video motion detection
- Privacy Mask
- Rugged, Durable Design
- 40 °F - 120 °F with no Heater/Blower
- DC auto iris support
- Low power consumption - 4 watts

Imaging	
Imaging Sensor	1/2.5 CMOS Sensor
Lens Mount	CS Mount (C mount with adapter)
Maximum Resolution	2592x1944 @ 10fps
BNC Video	Yes
Image Control	Auto Exposure, Auto Color Balance, Smart Sharpening
Contrast Control	Contrast Adjustment, Brightness adjustment, Digital Noise Reduction, Adaptive Imaging
Day/Night	Color Only
Flicker Control	Selectable
Privacy Mask	Hardware mask, 16x16 zone
Motion Detection	Hardware motion detection, 16x16 zone
Data Transmission	
MJPEG	Up to 30fps
Interface Standard	PSIA
Transfer Protocols	FTP, HTTP, FTP, RTSP
Connectivity	
Ethernet Connection	10/100-baseT, RJ45, PoE 802.3af
BNC Out	Output PAL and NTSC Video
Serial Connection	RS-232 Serial, DB9 Male, up to 115.2kb
Power	Auxiliary DC / Legacy AC / PoE
Alarm Input	1 x fully isolated alarm input
Relay	1 x fully isolated relay
Auto Iris	DC auto iris connector
Physical	
Dimensions	3.23"W (82mm) 2.25"H (57mm) 4.4"L (112mm)
Weight	14 Ounces (397 grams)
Operating Temperature	-40°F to 120°F (-40°C-50°C) Without Heater / Blower
Power Requirements	12VDC / 24VAC / PoE
POE	Class 3
Power Consumption	4 Watts
EMI Approval	FCC Class A, CE (EN55024)



SD500BN

MJPEG



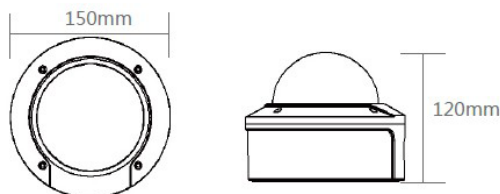
- Up to 5 Megapixel - 2560x1944
- MJPEG Compression
- Hybrid IP - Stream analogue & IP Simultaneously
- Outputs 1080p, 720p and NTSC / PAL
- Internal events trigger Email / FTP
- Mechanical IR Filter
- External relay/alarm input
- Automatic FTP Upload
- PoE, 12VDC or 24VAC power
- Integrated video motion detection
- Privacy Mask
- Rugged, Durable Design
- 40 °F - 120 °F with no Heater/Blower
- DC auto iris support
- Low power consumption - 4 watts



Imaging	
Imaging Sensor	1/2.5 CMOS Sensor
Lens Mount	CS Mount (C mount with adapter)
Maximum Resolution	2592x1944 @ 10fps
BNC Video	Yes
Image Control	Auto Exposure, Auto Color Balance, Smart Sharpening
Contrast Control	Contrast Adjustment, Brightness adjustment, Digital Noise Reduction, Adaptive Imaging
Day/Night	Yes, True Day/Night Mechanical IR Filter
Lux Rating	0.3lux Color, 0.0lux with IR engaged
Flicker Control	Selectable
Privacy Mask	Hardware mask, 16x16 zone
Motion Detection	Hardware motion detection, 16x16 zone
Data Transmission	
MJPEG	Up to 30fps
ONVIF 2.0	No
PSIA	Yes
Transfer Protocols	FTP, HTTP, FTP, RTSP
Connectivity	
Ethernet Connection	10/100-baseT, RJ45, PoE 802.3af
BNC Out	Output PAL and NTSC Video
Serial Connection	RS-232 Serial, DB9 Male, up to 115.2kb
Power	Auxiliary DC / Legacy AC / PoE
Alarm Input	1 x fully isolated alarm input
Relay	1 x fully isolated relay
Auto Iris	DC auto iris connector
Physical	
Dimensions	3.23"W (82mm) 2.25"H (57mm) 4.4"L (112mm)
Weight	14 Ounces (397 grams)
Operating Temperature	-40°F to 120°F (-40°C-50°C) Without Heater / Blower
Power Requirements	12VDC / 24VAC / PoE
POE	Class 3
Power Consumption	4 Watts
EMI Approval	FCC Class A, CE (EN55024)

SD130V

MJPEG



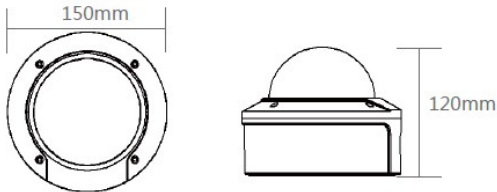
- Up to 1.3 Megapixel -1296x768
- MJPEG Compression
- IP66 Outdoor Vandal Resistant Dome
- Hybrid IP - Stream analogue & IP Simultaneously
- Outputs 1080p, 720p and NTSC / PAL
- Internal events trigger Email / FTP
- Color Only
- External relay/alarm input
- Automatic FTP Upload
- PoE, 12VDC or 24VAC power
- Integrated video motion detection
- Privacy Mask
- Rugged, Durable Design
- 40 °F - 120 °F with no Heater/Blower
- DC auto iris support
- Low power consumption - 4 watts

Imaging	
Imaging Sensor	1/2.5 CMOS Sensor
Lens Mount	CS Mount (C mount with adapter)
Maximum Resolution	1296x960 @ 30fps
BNC Video	Yes
Image Control	Auto Exposure, Auto Color Balance, Smart Sharpening
Contrast Control	Contrast Adjustment, Brightness adjustment, Digital Noise Reduction, Adaptive Imaging
Day/Night	Color Only
Flicker Control	Selectable
Privacy Mask	Hardware mask, 16x16 zone
Motion Detection	Hardware motion detection, 16x16 zone
Data Transmission	
MJPEG	Up to 30fps
Interface Standard	PSIA
Transfer Protocols	FTP, HTTP, FTP, RTSP
Connectivity	
Ethernet Connection	10/100-baseT, RJ45, PoE 802.3af
BNC Out	Output PAL and NTSC Video
Serial Connection	RS-232 Serial, DB9 Male, up to 115.2kb
Power	Auxiliary DC / Legacy AC / PoE
Alarm Input	1 x fully isolated alarm input
Relay	1 x fully isolated relay
Auto Iris	DC auto iris connector
Physical	
Enclosure	IP66 rated vandal dome
Dimensions	5.9" Diameter (150mm) x 4.7" H (120mm)
Weight	44 Ounces (1247 grams)
Operating Temperature	-40°F to 120°F (-40°C-50°C) Without Heater / Blower
Power Requirements	12VDC / 24VAC / PoE
POE	Class 3
Power Consumption	4 Watts
EMI Approval	FCC Class A, CE (EN55024)



SD130VN

MJPEG



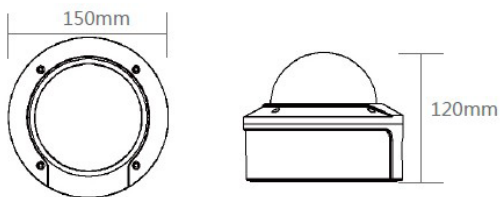
- Up to 1.3 Megapixel - 1296x768
- MJPEG Compression
- IP66 Outdoor Vandal Resistant Dome
- Hybrid IP - Stream analogue & IP Simultaneously
- Outputs 1080p, 720p and NTSC / PAL
- Internal events trigger Email / FTP
- Mechanical IR Filter
- External relay/alarm input
- Automatic FTP Upload
- PoE, 12VDC or 24VAC power
- Integrated video motion detection
- Privacy Mask
- Rugged, Durable Design
- 40 °F - 120 °F with no Heater/Blower
- DC auto iris support
- Low power consumption - 4 watts



Imaging	
Imaging Sensor	1/2.5 CMOS Sensor
Lens Mount	CS Mount (C mount with adapter)
Maximum Resolution	1296x960 @ 30fps
BNC Video	Yes
Image Control	Auto Exposure, Auto Color Balance, Smart Sharpening
Contrast Control	Contrast Adjustment, Brightness adjustment, Digital Noise Reduction, Adaptive Imaging
Day/Night	Yes, True Day/Night Mechanical IR Filter
Lux Rating	0.3lux Color, 0.0lux with IR engaged
Flicker Control	Selectable
Privacy Mask	Hardware mask, 16x16 zone
Motion Detection	Hardware motion detection, 16x16 zone
Data Transmission	
MJPEG	Up to 30fps
Interface Standard	PSIA
Transfer Protocols	FTP, HTTP, FTP, RTSP
Connectivity	
Ethernet Connection	10/100-baseT, RJ45, PoE 802.3af
BNC Out	Output Pal and NTSC Video
Serial Connection	RS-232 Serial, DB9 Male, up to 115.2kb
Power	Auxiliary DC / Legacy AC / PoE
Alarm Input	1 x fully isolated alarm input
Relay	1 x fully isolated relay
Auto Iris	DC auto iris connector
Physical	
Enclosure	IP66 rated vandal dome
Dimensions	5.9" Diameter (150mm) x 4.7" H (120mm)
Weight	44 Ounces (1247 grams)
Operating Temperature	-40°F to 120°F (-40°C-50°C) Without Heater / Blower
Power Requirements	12VDC / 24VAC / PoE
POE	Class 3
Power Consumption	4 Watts
EMI Approval	FCC Class A, CE (EN55024)

SD300V

MJPEG



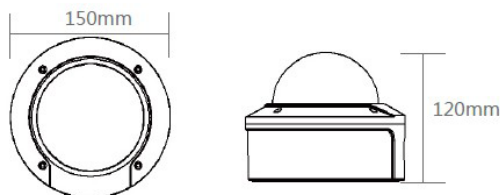
- Up to 3 Megapixel -2048x1536
- MJPEG Compression
- IP66 Outdoor Vandal Resistant Dome
- Hybrid IP - Stream analogue & IP Simultaneously
- Outputs 1080p, 720p and NTSC / PAL
- Internal events trigger Email / FTP
- Color Only
- External relay/alarm input
- Automatic FTP Upload
- PoE, 12VDC or 24VAC power
- Integrated video motion detection
- Privacy Mask
- Rugged, Durable Design
- 40 °F - 120 °F with no Heater/Blower
- DC auto iris support
- Low power consumption - 4 watts

Imaging	
Imaging Sensor	1/2.5 CMOS Sensor
Lens Mount	CS Mount (C mount with adapter)
Maximum Resolution	2048x1536 @ 12fps
BNC Video	Yes
Image Control	Auto Exposure, Auto Color Balance, Smart Sharpening
Contrast Control	Contrast Adjustment, Brightness adjustment, Digital Noise Reduction, Adaptive Imaging
Day/Night	Color Only
Flicker Control	Selectable
Privacy Mask	Hardware mask, 16x16 zone
Motion Detection	Hardware motion detection, 16x16 zone
Data Transmission	
MJPEG	Up to 30fps
Interface Standard	PSIA
Transfer Protocols	FTP, HTTP, FTP, RTSP
Connectivity	
Ethernet Connection	10/100-baseT, RJ45, PoE 802.3af
BNC Out	Output Pal and NTSC Video
Serial Connection	RS-232 Serial, DB9 Male, up to 115.2kb
Power	Auxiliary DC / Legacy AC / PoE
Alarm Input	1 x fully isolated alarm input
Relay	1 x fully isolated relay
Auto Iris	DC auto iris connector
Physical	
Enclosure	IP66 rated vandal dome
Dimensions	5.9" Diameter (150mm) x 4.7" H (120mm)
Weight	44 Ounces (1247 grams)
Operating Temperature	-40°F to 120°F (-40°C-50°C) Without Heater / Blower
Power Requirements	12VDC / 24VAC / PoE
POE	Class 3
Power Consumption	4 Watts
EMI Approval	FCC Class A, CE (EN55024)



SD500V

MJPEG



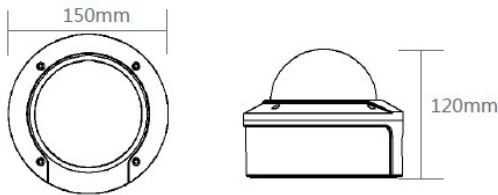
- Up to 5 Megapixel - 2560x1944
- MJPEG Compression
- IP66 Outdoor Vandal Resistant Dome
- Hybrid IP - Stream analogue & IP Simultaneously
- Outputs 1080p, 720p and NTSC / PAL
- Internal events trigger Email / FTP
- Color Only
- External relay/alarm input
- Automatic FTP Upload
- PoE, 12VDC or 24VAC power
- Integrated video motion detection
- Privacy Mask
- Rugged, Durable Design
- 40 °F - 120 °F with no Heater/Blower
- DC auto iris support
- Low power consumption - 4 watts

Imaging	
Imaging Sensor	1/2.5 CMOS Sensor
Lens Mount	CS Mount (C mount with adapter)
Maximum Resolution	2592x1944 @ 10fps
BNC Video	Yes
Image Control	Auto Exposure, Auto Color Balance, Smart Sharpening
Contrast Control	Contrast Adjustment, Brightness adjustment, Digital Noise Reduction, Adaptive Imaging
Day/Night	Color Only
Flicker Control	Selectable
Privacy Mask	Hardware mask, 16x16 zone
Motion Detection	Hardware motion detection, 16x16 zone
Data Transmission	
MJPEG	Up to 30fps
Interface Standard	PSIA
Transfer Protocols	FTP, HTTP, FTP, RTSP
Connectivity	
Ethernet Connection	10/100-baseT, RJ45, PoE 802.3af
BNC Out	Output Pal and NTSC Video
Serial Connection	RS-232 Serial, DB9 Male, up to 115.2kb
Power	Auxiliary DC / Legacy AC / PoE
Alarm Input	1 x fully isolated alarm input
Relay	1 x fully isolated relay
Auto Iris	DC auto iris connector
Physical	
Enclosure	IP66 rated vandal dome
Dimensions	5.9" Diameter (150mm) x 4.7" H (120mm)
Weight	44 Ounces (1247 grams)
Operating Temperature	-40°F to 120°F (-40°C-50°C) Without Heater / Blower
Power Requirements	12VDC / 24VAC / PoE
POE	Class 3
Power Consumption	4 Watts
EMI Approval	FCC Class A, CE (EN55024)



SD500VN

MJPEG



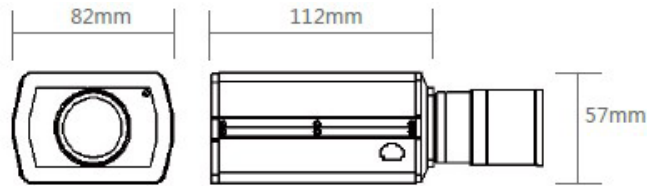
- Up to 5 Megapixel -2560x1944
- MJPEG Compression
- IP66 Outdoor Vandal Resistant Dome
- Hybrid IP - Stream analogue & IP Simultaneously
- Outputs 1080p, 720p and NTSC / PAL
- Internal events trigger Email / FTP
- Mechanical IR Filter
- External relay/alarm input
- Automatic FTP Upload
- PoE, 12VDC or 24VAC power
- Integrated video motion detection
- Privacy Mask
- Rugged, Durable Design
- 40 °F - 120 °F with no Heater/Blower
- DC auto iris support
- Low power consumption - 4 watts



Imaging	
Imaging Sensor	1/2.5 CMOS Sensor
Lens Mount	CS Mount (C mount with adapter)
Maximum Resolution	2592x1944 @ 10fps
BNC Video	Yes
Image Control	Auto Exposure, Auto Color Balance, Smart Sharpening
Contrast Control	Contrast Adjustment, Brightness adjustment, Digital Noise Reduction, Adaptive Imaging
Day/Night	Yes, True Day/Night Mechanical IR Filter
Lux Rating	0.3lux Color, 0.0lux with IR engaged
Flicker Control	Selectable
Privacy Mask	Hardware mask, 16x16 zone
Motion Detection	Hardware motion detection, 16x16 zone
Data Transmission	
MJPEG	Up to 30fps
Interface Standard	PSIA
Transfer Protocols	FTP, HTTP, FTP, RTSP
Connectivity	
Ethernet Connection	10/100-baseT, RJ45, PoE 802.3af
BNC Out	Output Pal and NTSC Video
Serial Connection	RS-232 Serial, DB9 Male, up to 115.2kb
Power	Auxiliary DC / Legacy AC / PoE
Alarm Input	1 x fully isolated alarm input
Relay	1 x fully isolated relay
Auto Iris	DC auto iris connector
Physical	
Enclosure	IP66 rated vandal dome
Dimensions	5.9" Diameter (150mm) x 4.7" H (120mm)
Weight	44 Ounces (1247 grams)
Operating Temperature	-40°F to 120°F (-40°C-50°C) Without Heater / Blower
Power Requirements	12VDC / 24VAC / PoE
POE	Class 3
Power Consumption	4 Watts
EMI Approval	FCC Class A, CE (EN55024)

SDHB200B

H.264



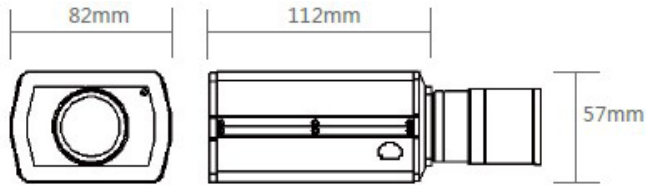
- 2 Megapixel - 1920x1080
- Color Only
- H.264/MJPEG/MPEG-4 Compression
- Dual Streaming
- Hybrid IP - Stream analogue & IP Simultaneously
- Internal events trigger HTTP Email / FTP
- Frame Rate & Bitrate Control
- PoE, 12VDC or 24VAC power
- 40 °F - 120 °F with no Heater/Blower
- DC auto iris support
- Low power consumption - 3.5 watts

Imaging	
Imaging Sensor	1/2.5 CMOS Sensor
Lens Mount	CS Mount (C mount with adapter)
Maximum Resolution	1920x1080 @ 15fps
BNC Video	Yes
Image Control	Auto Exposure, Auto Color Balance, Smart Sharpening
Contrast Control	Contrast Adjustment, Brightness adjustment, Digital Noise Reduction, Adaptive Imaging
Day/Night	Color Only
Flicker Control	Auto-detect
Motion Detection	Hardware motion detection, 16x16 zone
Data Transmission	
Compression	MJPEG / H.264 / MPEG-4
Multi-streaming	Supports dual streaming
Interface Standard	ONVIF 2.0
Transfer Protocols	FTP, HTTP, NTP, UDP, SMTP, DHCP
Connectivity	
Ethernet Connection	10/100-baseT, RJ45, PoE 802.3af
BNC Out	Output PAL and NTSC Video
Serial Connection	RS-232 Serial, DB9 Male, up to 115.2kb
Power	Auxiliary DC / Legacy AC / PoE
Alarm Input	1 x fully isolated alarm input
Relay	1 x fully isolated relay
Auto Iris	DC auto iris connector
Physical	
Dimensions	3.23"W (82mm) 2.25"H (57mm) 4.4"L (112mm)
Weight	14 Ounces (397 grams)
Operating Temperature	-30°F to 120°F (-34°C to 50°C) Without Heater / Blower
Power Requirements	12VDC / 24VAC / PoE
POE	Class 3
Power Consumption	3.5 Watts
EMI Approval	FCC Class A, CE (EN55024)



SDHB200BN

H.264



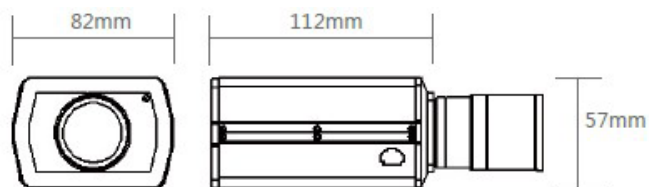
- 2 Megapixel - 1920x1080
- Programmable Mechanical IR Filter
- H.264/MJPEG/MPEG-4 Compression
- Dual Streaming
- Hybrid IP - Stream analogue & IP Simultaneously
- Internal events trigger HTTP Email / FTP
- Frame Rate & Bitrate Control
- PoE, 12VDC or 24VAC power
- 40 °F - 120 °F with no Heater/Blower
- DC auto iris support
- Low power consumption - 3.5 watts

Imaging	
Imaging Sensor	1/2.5 CMOS Sensor
Lens Mount	CS Mount (C mount with adapter)
Maximum Resolution	1920x1080 @15fps
BNC Video	Yes
Image Control	Auto Exposure, Auto Color Balance, Smart Sharpening
Contrast Control	Contrast Adjustment, Brightness adjustment, Digital Noise Reduction, Adaptive Imaging
Day/Night	Yes, True Day/Night Mechanical IR Filter
Lux Rating	0.3lux Color, 0.0lux with IR engaged
Flicker Control	Auto-detect
Motion Detection	Hardware motion detection, 16x16 zone
Data Transmission	
Compression	MJPEG / H.264 / MPEG-4
Multi-streaming	Supports dual streaming
Interface Standard	ONVIF 2.0
Transfer Protocols	FTP, HTTP, NTP, UDP, SMTP, DHCP
Connectivity	
Ethernet Connection	10/100-baseT, RJ45, PoE 802.3af
BNC Out	Output PAL and NTSC Video
Serial Connection	RS-232 Serial, DB9 Male, up to 115.2kb
Power	Auxiliary DC / Legacy AC / PoE
Alarm Input	1 x fully isolated alarm input
Relay	1 x fully isolated relay
Auto Iris	DC auto iris connector
Physical	
Dimensions	3.23"W (82mm) 2.25"H (57mm) 4.4"L (112mm)
Weight	14 Ounces (397 grams)
Operating Temperature	-30°F to 120°F (-34°C to 50°C) Without Heater / Blower
Power Requirements	12VDC / 24VAC / PoE
POE	Class 3
Power Consumption	3.5 Watts
EMI Approval	FCC Class A, CE (EN55024)



SDHB500B

H.264



- 5 Megapixel - 2592x1920
- Color Only
- H.264/MJPEG/MPEG-4 Compression
- Dual Streaming
- Hybrid IP - Stream analogue & IP Simultaneously
- Internal events trigger HTTP Email / FTP
- Frame Rate & Bitrate Control
- PoE, 12VDC or 24VAC power
- 40 °F - 120 °F with no Heater/Blower
- DC auto iris support
- Low power consumption - 3.5 watts

Imaging	
Imaging Sensor	1/2.5 CMOS Sensor
Lens Mount	CS Mount (C mount with adapter)
Maximum Resolution	2592x1920 @ 10fps
BNC Video	Yes
Image Control	Auto Exposure, Auto Color Balance, Smart Sharpening
Contrast Control	Contrast Adjustment, Brightness adjustment, Digital Noise Reduction, Adaptive Imaging
Day/Night	Color Only
Flicker Control	Auto-detect
Motion Detection	Hardware motion detection, 16x16 zone
Data Transmission	
Compression	MJPEG / H.264 / MPEG-4
Multi-streaming	Supports dual streaming
Interface Standard	ONVIF 2.0
Transfer Protocols	FTP, HTTP, NTP, UDP, SMTP, DHCP
Connectivity	
Ethernet Connection	10/100-baseT, RJ45, PoE 802.3af
BNC Out	Output PAL and NTSC Video
Serial Connection	RS-232 Serial, DB9 Male, up to 115.2kb
Power	Auxiliary DC / Legacy AC / PoE
Alarm Input	1 x fully isolated alarm input
Relay	1 x fully isolated relay
Auto Iris	DC auto iris connector
Physical	
Dimensions	3.23"W (82mm) 2.25"H (57mm) 4.4"L (112mm)
Weight	14 Ounces (397 grams)
Operating Temperature	-30°F to 120°F (-34°C to 50°C) Without Heater / Blower
Power Requirements	12VDC / 24VAC / PoE
POE	Class 3
Power Consumption	3.5 Watts
EMI Approval	FCC Class A, CE (EN55024)



SDHB500BN

H.264



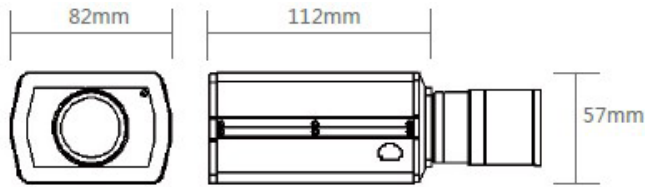
- 5 Megapixel - 2592x1920
- Programmable Mechanical IR Filter
- H.264/MJPEG/MPEG-4 Compression
- Dual Streaming
- Hybrid IP - Stream analogue & IP Simultaneously
- Internal events trigger HTTP Email / FTP
- Frame Rate & Bitrate Control
- PoE, 12VDC or 24VAC power
- 40 °F - 120 °F with no Heater/Blower
- DC auto iris support
- Low power consumption - 3.5 watts

Imaging	
Imaging Sensor	1/2.5 CMOS Sensor
Lens Mount	CS Mount (C mount with adapter)
Maximum Resolution	2592x1920 @ 10fps
BNC Video	Yes
Image Control	Auto Exposure, Auto Color Balance, Smart Sharpening
Contrast Control	Contrast Adjustment, Brightness adjustment, Digital Noise Reduction, Adaptive Imaging
Day/Night	Yes, True Day/Night Mechanical IR Filter
Lux Rating	0.3lux Color, 0.0lux with IR engaged
Flicker Control	Auto-detect
Motion Detection	Hardware motion detection, 16x16 zone
Data Transmission	
Compression	MJPEG / H.264 / MPEG-4
Multi-streaming	Supports dual streaming
Interface Standard	ONVIF 2.0
Transfer Protocols	FTP, HTTP, NTP, UDP, SMTP, DHCP
Connectivity	
Ethernet Connection	10/100-baseT, RJ45, PoE 802.3af
BNC Out	Output PAL and NTSC Video
Serial Connection	RS-232 Serial, DB9 Male, up to 115.2kb
Power	Auxiliary DC / Legacy AC / PoE
Alarm Input	1 x fully isolated alarm input
Relay	1 x fully isolated relay
Auto Iris	DC auto iris connector
Physical	
Dimensions	3.23"W (82mm) 2.25"H (57mm) 4.4"L (112mm)
Weight	14 Ounces (397 grams)
Operating Temperature	-30°F to 120°F (-34°C to 50°C) Without Heater / Blower
Power Requirements	12VDC / 24VAC / PoE
POE	Class 3
Power Consumption	3.5 Watts
EMI Approval	FCC Class A, CE (EN55024)



SDH130B

H.264



- Up to 1.3 Megapixel - 1296x960
- H.264/MJPEG Compression
- Hybrid IP - Stream analogue & IP Simultaneously
- Outputs 1080p, 720p and NTSC / PAL
- Internal events trigger Email / FTP
- Color Only
- External relay/alarm input
- Automatic FTP Upload
- PoE, 12VDC or 24VAC power
- Integrated video motion detection
- Privacy Mask
- Rugged, Durable Design
- 40 °F - 120 °F with no Heater/Blower
- DC auto iris support
- Low power consumption - 4 watts



Imaging

Imaging Sensor	1/2.5 CMOS Sensor
Lens Mount	CS Mount (C mount with adapter)
Maximum Resolution	1296x960 @ 30fps
BNC Video	Yes
Image Control	Auto Exposure, Auto Color Balance, Smart Sharpening
Contrast Control	Contrast Adjustment, Brightness adjustment, Digital Noise Reduction, Adaptive Imaging
Day/Night	Color Only
Flicker Control	Selectable
Privacy Mask	Hardware mask, 16x16 zone
Motion Detection	Hardware motion detection, 16x16 zone

Data Transmission

MJPEG	Up to 30fps
H.264	Up to 30fps, AVC / H.264 (ISO/IEC 14496-10)
Multi-casting	Up to 8 streams
Interface Standard	PSIA
Transfer Protocols	FTP, HTTP, FTP, RTSP

Connectivity

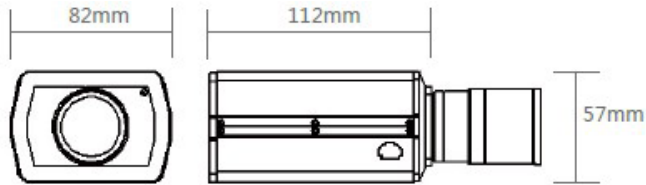
Ethernet Connection	10/100-baseT, RJ45, PoE 802.3af
BNC Out	Output PAL and NTSC Video
Serial Connection	RS-232 Serial, DB9 Male, up to 115.2kb
Power	Auxiliary DC / Legacy AC / PoE
Alarm Input	1 x fully isolated alarm input
Relay	1 x fully isolated relay
Auto Iris	DC auto iris connector

Physical

Dimensions	3.23"W (82mm) 2.25"H (57mm) 4.4"L (112mm)
Weight	14 Ounces (397 grams)
Operating Temperature	-40°F to 120°F (-40°C-50°C) Without Heater / Blower
Power Requirements	12VDC / 24VAC / PoE
POE	Class 3
Power Consumption	4 Watts
EMI Approval	FCC Class A, CE (EN55024)

SDH130BN

H.264



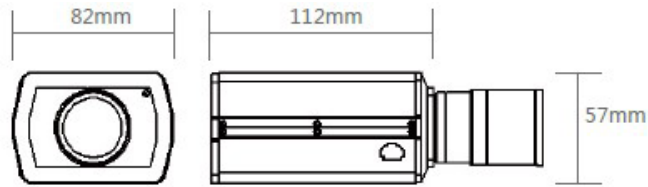
- Up to 1.3 Megapixel - 1296x960
- H.264/MJPEG Compression
- Hybrid IP - Stream analogue & IP Simultaneously
- Outputs 1080p, 720p and NTSC / PAL
- Internal events trigger Email / FTP
- Mechanical IR Filter
- External relay/alarm input
- Automatic FTP Upload
- PoE, 12VDC or 24VAC power
- Integrated video motion detection
- Privacy Mask
- Rugged, Durable Design
- 40 °F - 120 °F with no Heater/Blower
- DC auto iris support
- Low power consumption - 4 watts



Imaging	
Imaging Sensor	1/2.5 CMOS Sensor
Lens Mount	CS Mount (C mount with adapter)
Maximum Resolution	1296x960 @30fps
BNC Video	Yes
Image Control	Auto Exposure, Auto Color Balance, Smart Sharpening
Contrast Control	Contrast Adjustment, Brightness adjustment, Digital Noise Reduction, Adaptive Imaging
Day/Night	Yes, True Day/Night Mechanical IR Filter
Lux Rating	0.3lux Color, 0.0lux with IR engaged
Flicker Control	Selectable
Privacy Mask	Hardware mask, 16x16 zone
Motion Detection	Hardware motion detection, 16x16 zone
Data Transmission	
MJPEG	Up to 30fps
H.264	No
Multi-casting	Up to 8 streams
Interface Standard	PSIA
Transfer Protocols	FTP, HTTP, FTP, RTSP
Connectivity	
Ethernet Connection	10/100-baseT, RJ45, PoE 802.3af
BNC Out	Output PAL and NTSC Video
Serial Connection	RS-232 Serial, DB9 Male, up to 115.2kb
Power	Auxiliary DC / Legacy AC / PoE
Alarm Input	1 x fully isolated alarm input
Relay	1 x fully isolated relay
Auto Iris	DC auto iris connector
Physical	
Dimensions	3.23"W (82mm) 2.25"H (57mm) 4.4"L (112mm)
Weight	14 Ounces (397 grams)
Operating Temperature	-40°F to 120°F (-40°C-50°C) Without Heater / Blower
Power Requirements	12VDC / 24VAC / PoE
POE	Class 3
Power Consumption	4 Watts
EMI Approval	FCC Class A, CE (EN55024)

SDH300B

H.264



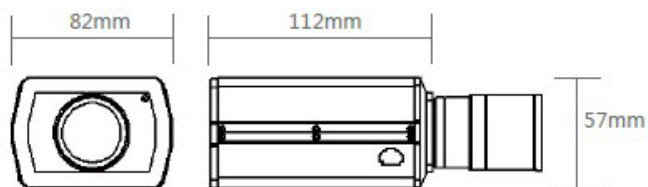
- Up to 3 Megapixel - 2048x1536
- H.264/MJPEG Compression
- Hybrid IP - Stream analogue & IP Simultaneously
- Outputs 1080p, 720p and NTSC / PAL
- Internal events trigger Email / FTP
- Color Only
- External relay/alarm input
- Automatic FTP Upload
- PoE, 12VDC or 24VAC power
- Integrated video motion detection
- Privacy Mask
- Rugged, Durable Design
- 40 °F - 120 °F with no Heater/Blower
- DC auto iris support
- Low power consumption - 4 watts



Imaging	
Imaging Sensor	1/2.5 CMOS Sensor
Lens Mount	CS Mount (C mount with adapter)
Maximum Resolution	2048x1536 @ 18fps
BNC Video	Yes
Image Control	Auto Exposure, Auto Color Balance, Smart Sharpening
Contrast Control	Contrast Adjustment, Brightness adjustment, Digital Noise Reduction, Adaptive Imaging
Day/Night	Color Only
Flicker Control	Selectable
Privacy Mask	Hardware mask, 16x16 zone
Motion Detection	Hardware motion detection, 16x16 zone
Data Transmission	
MJPEG	Up to 30fps
H.264	Up to 30fps, AVC / H.264 (ISO/IEC 14496-10)
Multi-casting	Up to 8 streams
Interface Standard	PSIA
Transfer Protocols	FTP, HTTP, FTP, RTSP
Connectivity	
Ethernet Connection	10/100-baseT, RJ45, PoE 802.3af
BNC Out	Output PAL and NTSC Video
Serial Connection	RS-232 Serial, DB9 Male, up to 115.2kb
Power	Auxiliary DC / Legacy AC / PoE
Alarm Input	1 x fully isolated alarm input
Relay	1 x fully isolated relay
Auto Iris	DC auto iris connector
Physical	
Dimensions	3.23"W (82mm) 2.25"H (57mm) 4.4"L (112mm)
Weight	14 Ounces (397 grams)
Operating Temperature	-40°F to 120°F (-40°C-50°C) Without Heater / Blower
Power Requirements	12VDC / 24VAC / PoE
POE	Class 3
Power Consumption	4 Watts
EMI Approval	FCC Class A, CE (EN55024)

SDH300BN

H.264



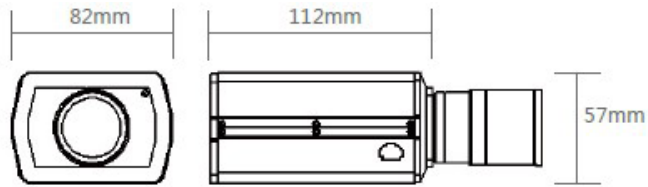
- Up to 3 Megapixel - 2048x1536
- H.264/MJPEG Compression
- Hybrid IP - Stream analogue & IP Simultaneously
- Outputs 1080p, 720p and NTSC / PAL
- Internal events trigger Email / FTP
- Mechanical IR Filter
- External relay/alarm input
- Automatic FTP Upload
- PoE, 12VDC or 24VAC power
- Integrated video motion detection
- Privacy Mask
- Rugged, Durable Design
- 40 °F - 120 °F with no Heater/Blower
- DC auto iris support
- Low power consumption - 4 watts



Imaging	
Imaging Sensor	1/2.5 CMOS Sensor
Lens Mount	CS Mount (C mount with adapter)
Maximum Resolution	2048x1536 @18fps
BNC Video	Yes
Image Control	Auto Exposure, Auto Color Balance, Smart Sharpening
Contrast Control	Contrast Adjustment, Brightness adjustment, Digital Noise Reduction, Adaptive Imaging
Day/Night	Yes, True Day/Night Mechanical IR Filter
Lux Rating	0.3lux Color, 0.0lux with IR engaged
Flicker Control	Selectable
Privacy Mask	Hardware mask, 16x16 zone
Motion Detection	Hardware motion detection, 16x16 zone
Data Transmission	
MJPEG	Up to 30fps
H.264	Up to 30fps, AVC / H.264 (ISO/IEC 14496-10)
Multi-casting	Up to 8 streams
Interface Standard	PSIA
Transfer Protocols	FTP, HTTP, FTP, RTSP
Connectivity	
Ethernet Connection	10/100-baseT, RJ45, PoE 802.3af
BNC Out	Output PAL and NTSC Video
Serial Connection	RS-232 Serial, DB9 Male, up to 115.2kb
Power	Auxiliary DC / Legacy AC / PoE
Alarm Input	1 x fully isolated alarm input
Relay	1 x fully isolated relay
Auto Iris	DC auto iris connector
Physical	
Dimensions	3.23"W (82mm) 2.25"H (57mm) 4.4"L (112mm)
Weight	14 Ounces (397 grams)
Operating Temperature	-40°F to 120°F (-40°C-50°C) Without Heater / Blower
Power Requirements	12VDC / 24VAC / PoE
POE	Class 3
Power Consumption	4 Watts
EMI Approval	FCC Class A, CE (EN55024)

SDH500B

H.264



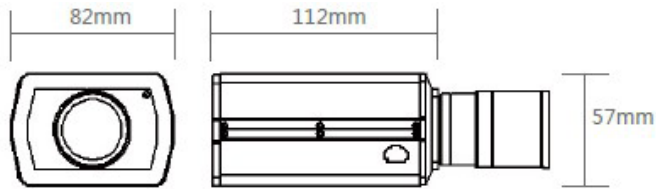
- Up to 5 Megapixel - 2560x1944
- H.264/MJPEG Compression
- Hybrid IP - Stream analogue & IP Simultaneously
- Outputs 1080p, 720p and NTSC / PAL
- Internal events trigger Email / FTP
- Color Only
- External relay/alarm input
- Automatic FTP Upload
- PoE, 12VDC or 24VAC power
- Integrated video motion detection
- Privacy Mask
- Rugged, Durable Design
- 40 °F - 120 °F with no Heater/Blower
- DC auto iris support
- Low power consumption - 4 watts



Imaging	
Imaging Sensor	1/2.5 CMOS Sensor
Lens Mount	CS Mount (C mount with adapter)
Maximum Resolution	2560x1944 @ 10fps
BNC Video	Yes
Image Control	Auto Exposure, Auto Color Balance, Smart Sharpening
Contrast Control	Contrast Adjustment, Brightness adjustment, Digital Noise Reduction, Adaptive Imaging
Day/Night	Color Only
Flicker Control	Selectable
Privacy Mask	Hardware mask, 16x16 zone
Motion Detection	Hardware motion detection, 16x16 zone
Data Transmission	
MJPEG	Up to 30fps
H.264	Up to 30fps, AVC / H.264 (ISO/IEC 14496-10)
Multi-casting	Up to 8 streams
Interface Standard	PSIA
Transfer Protocols	FTP, HTTP, FTP, RTSP
Connectivity	
Ethernet Connection	10/100-baseT, RJ45, PoE 802.3af
BNC Out	Output Pal and NTSC Video
Serial Connection	RS-232 Serial, DB9 Male, up to 115.2kb
Power	Auxiliary DC / Legacy AC / PoE
Alarm Input	1 x fully isolated alarm input
Relay	1 x fully isolated relay
Auto Iris	DC auto iris connector
Physical	
Dimensions	3.23"W (82mm) 2.25"H (57mm) 4.4"L (112mm)
Weight	14 Ounces (397 grams)
Operating Temperature	-40°F to 120°F (-40°C-50°C) Without Heater / Blower
Power Requirements	12VDC / 24VAC / PoE
POE	Class 3
Power Consumption	4 Watts
EMI Approval	FCC Class A, CE (EN55024)

SDH500BN

H.264



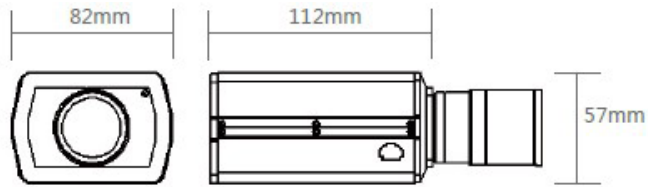
- Up to 5 Megapixel - 2560x1944
- H.264/MJPEG Compression
- Hybrid IP - Stream analogue & IP Simultaneously
- Outputs 1080p, 720p and NTSC / PAL
- Internal events trigger Email / FTP
- Mechanical IR Filter
- External relay/alarm input
- Automatic FTP Upload
- PoE, 12VDC or 24VAC power
- Integrated video motion detection
- Privacy Mask
- Rugged, Durable Design
- 40 °F - 120 °F with no Heater/Blower
- DC auto iris support
- Low power consumption - 4 watts



Imaging	
Imaging Sensor	1/2.5 CMOS Sensor
Lens Mount	CS Mount (C mount with adapter)
Maximum Resolution	2560x1944 @10fps
BNC Video	Yes
Image Control	Auto Exposure, Auto Color Balance, Smart Sharpening
Contrast Control	Contrast Adjustment, Brightness adjustment, Digital Noise Reduction, Adaptive Imaging
Day/Night	Yes, True Day/Night Mechanical IR Filter
Lux Rating	0.3lux Color, 0.0lux with IR engaged
Flicker Control	Selectable
Privacy Mask	Hardware mask, 16x16 zone
Motion Detection	Hardware motion detection, 16x16 zone
Data Transmission	
MJPEG	Up to 30fps
H.264	Up to 30fps, AVC / H.264 (ISO/IEC 14496-10)
Multi-casting	Up to 8 streams
Interface Standard	PSIA
Transfer Protocols	FTP, HTTP, FTP, RTSP
Connectivity	
Ethernet Connection	10/100-baseT, RJ45, PoE 802.3af
BNC Out	Output PAL and NTSC Video
Serial Connection	RS-232 Serial, DB9 Male, up to 115.2kb
Power	Auxiliary DC / Legacy AC / PoE
Alarm Input	1 x fully isolated alarm input
Relay	1 x fully isolated relay
Auto Iris	DC auto iris connector
Physical	
Dimensions	3.23"W (82mm) 2.25"H (57mm) 4.4"L (112mm)
Weight	14 Ounces (397 grams)
Operating Temperature	-40°F to 120°F (-40°C-50°C) Without Heater / Blower
Power Requirements	12VDC / 24VAC / PoE
POE	Class 3
Power Consumption	4 Watts
EMI Approval	FCC Class A, CE (EN55024)

SDH1000B

H.264



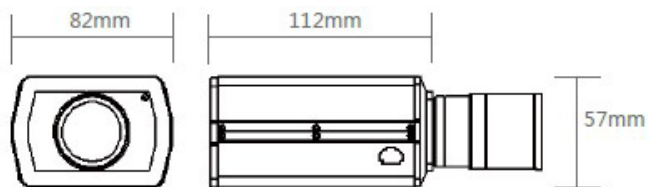
- Up to 10 Megapixel - 3648x2752
- H.264/MJPEG Compression
- Hybrid IP - Stream analogue & IP Simultaneously
- Outputs 1080p, 720p and NTSC / PAL
- Internal events trigger Email / FTP
- Color Only
- External relay/alarm input
- Automatic FTP Upload
- PoE, 12VDC or 24VAC power
- Integrated video motion detection
- Privacy Mask
- Rugged, Durable Design
- 40 °F - 120 °F with no Heater/Blower
- DC auto iris support
- Low power consumption - 4 watts



Imaging	
Imaging Sensor	1/2.3 CMOS Sensor
Lens Mount	CS Mount (C mount with adapter)
Maximum Resolution	3648x2752 @ 5fps
BNC Video	Yes
Image Control	Auto Exposure, Auto Color Balance, Smart Sharpening
Contrast Control	Contrast Adjustment, Brightness adjustment, Digital Noise Reduction, Adaptive Imaging
Day/Night	Color Only
Flicker Control	Selectable
Privacy Mask	Hardware mask, 16x16 zone
Motion Detection	Hardware motion detection, 16x16 zone
Data Transmission	
MJPEG	Up to 30fps
H.264	Up to 30fps, AVC / H.264 (ISO/IEC 14496-10)
Multi-casting	Up to 8 streams
Interface Standard	PSIA
Transfer Protocols	FTP, HTTP, FTP, RTSP
Connectivity	
Ethernet Connection	10/100-baseT, RJ45, PoE 802.3af
BNC Out	Output Pal and NTSC Video
Serial Connection	RS-232 Serial, DB9 Male, up to 115.2kb
Power	Auxiliary DC / Legacy AC / PoE
Alarm Input	1 x fully isolated alarm input
Relay	1 x fully isolated relay
Auto Iris	DC auto iris connector
Physical	
Dimensions	3.23"W (82mm) 2.25"H (57mm) 4.4"L (112mm)
Weight	14 Ounces (397 grams)
Operating Temperature	-40°F to 120°F (-40°C-50°C) Without Heater / Blower
Power Requirements	12VDC / 24VAC / PoE
POE	Class 3
Power Consumption	4 Watts
EMI Approval	FCC Class A, CE (EN55024)

SDH1000BN

H.264



- Up to 10 Megapixel - 3648x2752
- H.264/MJPEG Compression
- Hybrid IP - Stream analogue & IP Simultaneously
- Outputs 1080p, 720p and NTSC / PAL
- Internal events trigger Email / FTP
- Mechanical IR Filter
- External relay/alarm input
- Automatic FTP Upload
- PoE, 12VDC or 24VAC power
- Integrated video motion detection
- Privacy Mask
- Rugged, Durable Design
- 40 °F - 120 °F with no Heater/Blower
- DC auto iris support
- Low power consumption - 4 watts



Imaging

Imaging Sensor	1/2.3 CMOS Sensor
Lens Mount	CS Mount (C mount with adapter)
Maximum Resolution	3648x2752 @ 5fps
BNC Video	Yes
Image Control	Auto Exposure, Auto Color Balance, Smart Sharpening
Contrast Control	Contrast Adjustment, Brightness adjustment, Digital Noise Reduction, Adaptive Imaging
Day/Night	Yes, True Day/Night Mechanical IR Filter
Lux Rating	0.3lux Color, 0.0lux with IR engaged
Flicker Control	Selectable
Privacy Mask	Hardware mask, 16x16 zone
Motion Detection	Hardware motion detection, 16x16 zone

Data Transmission

MJPEG	Up to 30fps
H.264	Up to 30fps, AVC / H.264 (ISO/IEC 14496-10)
Multi-casting	Up to 8 streams
Interface Standard	PSIA
Transfer Protocols	FTP, HTTP, FTP, RTSP

Connectivity

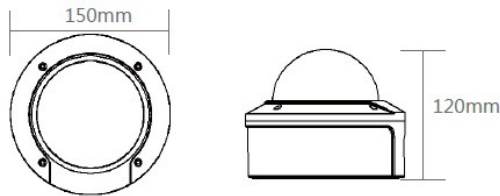
Ethernet Connection	10/100-baseT, RJ45, PoE 802.3af
BNC Out	Output Pal and NTSC Video
Serial Connection	RS-232 Serial, DB9 Male, up to 115.2kb
Power	Auxiliary DC / Legacy AC / PoE
Alarm Input	1 x fully isolated alarm input
Relay	1 x fully isolated relay
Auto Iris	DC auto iris connector

Physical

Dimensions	3.23"W (82mm) 2.25"H (57mm) 4.4"L (112mm)
Weight	14 Ounces (397 grams)
Operating Temperature	-40°F to 120°F (-40°C-50°C) Without Heater / Blower
Power Requirements	12VDC / 24VAC / PoE
POE	Class 3
Power Consumption	4 Watts
EMI Approval	FCC Class A, CE (EN55024)

SDH130V

H.264



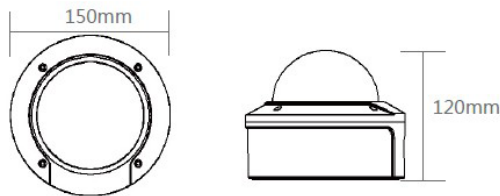
- Up to 1.3 Megapixel -1296x960
- H.264/MJPEG Compression
- IP66 Outdoor Vandal Resistant Dome
- Hybrid IP - Stream analogue & IP Simultaneously
- Outputs 1080p, 720p and NTSC / PAL
- Internal events trigger Email / FTP
- Color Only
- External relay/alarm input
- Automatic FTP Upload
- PoE, 12VDC or 24VAC power
- Integrated video motion detection
- Privacy Mask
- Rugged, Durable Design
- 40 °F - 120 °F with no Heater/Blower
- DC auto iris support
- Low power consumption - 4 watts



Imaging	
Imaging Sensor	1/2.5 CMOS Sensor
Lens Mount	CS Mount (C mount with adapter)
Maximum Resolution	1296x960 @ 30fps
BNC Video	Yes
Image Control	Auto Exposure, Auto Color Balance, Smart Sharpening
Contrast Control	Contrast Adjustment, Brightness adjustment, Digital Noise Reduction, Adaptive Imaging
Day/Night	Color Only
Flicker Control	Selectable
Privacy Mask	Hardware mask, 16x16 zone
Motion Detection	Hardware motion detection, 16x16 zone
Data Transmission	
MJPEG	Up to 30fps
H.264	Up to 30fps, AVC / H.264 (ISO/IEC 14496-10)
Multi-casting	Up to 8 streams
Interface Standard	PSIA
Transfer Protocols	FTP, HTTP, FTP, RTSP
Connectivity	
Ethernet Connection	10/100-baseT, RJ45, PoE 802.3af
BNC Out	Output PAL and NTSC Video
Serial Connection	RS-232 Serial, DB9 Male, up to 115.2kb
Power	Auxiliary DC / Legacy AC / PoE
Alarm Input	1 x fully isolated alarm input
Relay	1 x fully isolated relay
Auto Iris	DC auto iris connector
Physical	
Enclosure	IP66 rated vandal dome
3-axis gimbal	3-axis camera gimbal with 360°pan & 360°z-axis, 180°tilt
Dimensions	5.9" Diameter (150mm) x 4.7" H (120mm)
Weight	44 Ounces (1247 grams)
Operating Temperature	-40°F to 120°F (-40°C-50°C) Without Heater / Blower
Power Requirements	12VDC / 24VAC / PoE
POE	Class 3
Power Consumption	4 Watts
EMI Approval	FCC Class A, CE (EN55024)

SDH130VN

H.264



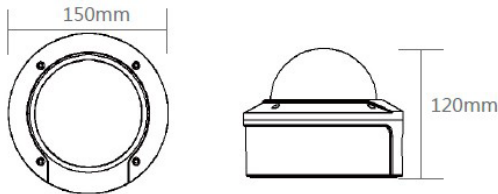
- Up to 1.3 Megapixel - 1296x960
- H.264/MJPEG Compression
- IP66 Outdoor Vandal Resistant Dome
- Hybrid IP - Stream analogue & IP Simultaneously
- Outputs 1080p, 720p and NTSC / PAL
- Internal events trigger Email / FTP
- Mechanical IR Filter
- External relay/alarm input
- Automatic FTP Upload
- PoE, 12VDC or 24VAC power
- Integrated video motion detection
- Privacy Mask
- Rugged, Durable Design
- 40 °F - 120 °F with no Heater/Blower
- DC auto iris support
- Low power consumption - 4 watts



Imaging	
Imaging Sensor	1/2.5 CMOS Sensor
Lens Mount	CS Mount (C mount with adapter)
Maximum Resolution	1296x960 @ 30fps
BNC Video	Yes
Image Control	Auto Exposure, Auto Color Balance, Smart Sharpening
Contrast Control	Contrast Adjustment, Brightness adjustment, Digital Noise Reduction, Adaptive Imaging
Day/Night	Yes, True Day/Night Mechanical IR Filter
Lux Rating	0.3lux Color, 0.0lux with IR engaged
Flicker Control	Selectable
Privacy Mask	Hardware mask, 16x16 zone
Motion Detection	Hardware motion detection, 16x16 zone
Data Transmission	
MJPEG	Up to 30fps
H.264	Up to 30fps, AVC / H.264 (ISO/IEC 14496-10)
Multi-casting	Up to 8 streams
Interface Standard	PSIA
Transfer Protocols	FTP, HTTP, FTP, RTSP
Connectivity	
Ethernet Connection	10/100-baseT, RJ45, PoE 802.3af
BNC Out	Output PAL and NTSC Video
Serial Connection	RS-232 Serial, DB9 Male, up to 115.2kb
Power	Auxiliary DC / Legacy AC / PoE
Alarm Input	1 x fully isolated alarm input
Relay	1 x fully isolated relay
Auto Iris	DC auto iris connector
Physical	
Enclosure	IP66 rated vandal dome
3-axis gimbal	3-axis camera gimbal with 360°pan & 360°z-axis, 180°tilt
Dimensions	5.9" Diameter (150mm) x 4.7" H (120mm)
Weight	44 Ounces (1247 grams)
Operating Temperature	-40°F to 120°F (-40°C-50°C) Without Heater / Blower
Power Requirements	12VDC / 24VAC / PoE
POE	Class 3
Power Consumption	4 Watts
EMI Approval	FCC Class A, CE (EN55024)

SDH300V

H.264



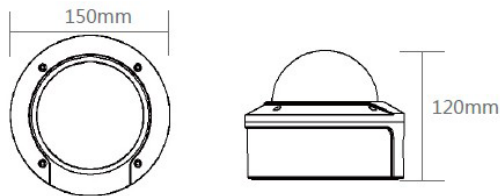
- Up to 3 Megapixel -2048x1536
- H.264/MJPEG Compression
- IP66 Outdoor Vandal Resistant Dome
- Hybrid IP - Stream analogue & IP Simultaneously
- Outputs 1080p, 720p and NTSC / PAL
- Internal events trigger Email / FTP
- Color Only
- External relay/alarm input
- Automatic FTP Upload
- PoE, 12VDC or 24VAC power
- Integrated video motion detection
- Privacy Mask
- Rugged, Durable Design
- 40 °F - 120 °F with no Heater/Blower
- DC auto iris support
- Low power consumption - 4 watts



Imaging	
Imaging Sensor	1/2.5 CMOS Sensor
Lens Mount	CS Mount (C mount with adapter)
Maximum Resolution	2048x1536 @ 18fps
BNC Video	Yes
Image Control	Auto Exposure, Auto Color Balance, Smart Sharpening
Contrast Control	Contrast Adjustment, Brightness adjustment, Digital Noise Reduction, Adaptive Imaging
Day/Night	Color Only
Flicker Control	Selectable
Privacy Mask	Hardware mask, 16x16 zone
Motion Detection	Hardware motion detection, 16x16 zone
Data Transmission	
MJPEG	Up to 30fps
H.264	Up to 30fps, AVC / H.264 (ISO/IEC 14496-10)
Multi-casting	Up to 8 streams
Interface Standard	PSIA
Transfer Protocols	FTP, HTTP, FTP, RTSP
Connectivity	
Ethernet Connection	10/100-baseT, RJ45, PoE 802.3af
BNC Out	Output PAL and NTSC Video
Serial Connection	RS-232 Serial, DB9 Male, up to 115.2kb
Power	Auxiliary DC / Legacy AC / PoE
Alarm Input	1 x fully isolated alarm input
Relay	1 x fully isolated relay
Auto Iris	DC auto iris connector
Physical	
Enclosure	IP66 rated vandal dome
3-axis gimbal	3-axis camera gimbal with 360°pan & 360°z-axis, 180°tilt
Dimensions	5.9" Diameter (150mm) x 4.7" H (120mm)
Weight	44 Ounces (1247 grams)
Operating Temperature	-40°F to 120°F (-40°C-50°C) Without Heater / Blower
Power Requirements	12VDC / 24VAC / PoE
POE	Class 3
Power Consumption	4 Watts
EMI Approval	FCC Class A, CE (EN55024)

SDH300VN

H.264



- Up to 3 Megapixel - 2048x1536
- H.264/MJPEG Compression
- IP66 Outdoor Vandal Resistant Dome
- Hybrid IP - Stream analogue & IP Simultaneously
- Outputs 1080p, 720p and NTSC / PAL
- Internal events trigger Email / FTP
- Mechanical IR Filter
- External relay/alarm input
- Automatic FTP Upload
- PoE, 12VDC or 24VAC power
- Integrated video motion detection
- Privacy Mask
- Rugged, Durable Design
- 40 °F - 120 °F with no Heater/Blower
- DC auto iris support
- Low power consumption - 4 watts



Imaging

Imaging Sensor	1/2.5 CMOS Sensor
Lens Mount	CS Mount (C mount with adapter)
Maximum Resolution	2048x1536 @ 12fps
BNC Video	Yes
Image Control	Auto Exposure, Auto Color Balance, Smart Sharpening
Contrast Control	Contrast Adjustment, Brightness adjustment, Digital Noise Reduction, Adaptive Imaging
Day/Night	Yes, True Day/Night Mechanical IR Filter
Lux Rating	0.3lux Color, 0.0lux with IR engaged
Flicker Control	Selectable
Privacy Mask	Hardware mask, 16x16 zone
Motion Detection	Hardware motion detection, 16x16 zone

Data Transmission

MJPEG	Up to 30fps
H.264	Up to 30fps, AVC / H.264 (ISO/IEC 14496-10)
Multi-casting	Up to 8 streams
Interface Standard	PSIA
Transfer Protocols	FTP, HTTP, FTP, RTSP

Connectivity

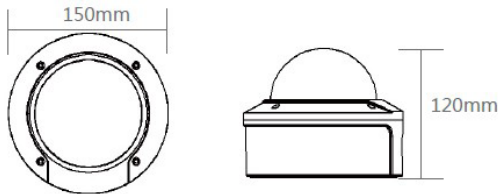
Ethernet Connection	10/100-baseT, RJ45, PoE 802.3af
BNC Out	Output Pal and NTSC Video
Serial Connection	RS-232 Serial, DB9 Male, up to 115.2kb
Power	Auxiliary DC / Legacy AC / PoE
Alarm Input	1 x fully isolated alarm input
Relay	1 x fully isolated relay
Auto Iris	DC auto iris connector

Physical

Enclosure	IP66 rated vandal dome
3-axis gimbal	3-axis camera gimbal with 360°pan & 360°z-axis, 180°tilt
Dimensions	5.9" Diameter (150mm) x 4.7" H (120mm)
Weight	44 Ounces (1247 grams)
Operating Temperature	-40°F to 120°F (-40°C-50°C) Without Heater / Blower
Power Requirements	12VDC / 24VAC / PoE
POE	Class 3
Power Consumption	4 Watts
EMI Approval	FCC Class A, CE (EN55024)

SDH500V

H.264



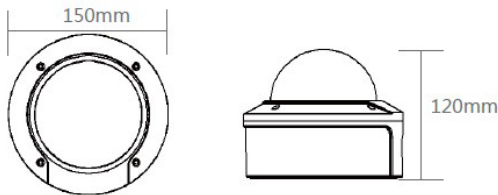
- Up to 5 Megapixel -2560x1944
- H.264/MJPEG Compression
- IP66 Outdoor Vandal Resistant Dome
- Hybrid IP - Stream analogue & IP Simultaneously
- Outputs 1080p, 720p and NTSC / PAL
- Internal events trigger Email / FTP
- Color Only
- External relay/alarm input
- Automatic FTP Upload
- PoE, 12VDC or 24VAC power
- Integrated video motion detection
- Privacy Mask
- Rugged, Durable Design
- 40 °F - 120 °F with no Heater/Blower
- DC auto iris support
- Low power consumption - 4 watts



Imaging	
Imaging Sensor	1/2.5 CMOS Sensor
Lens Mount	CS Mount (C mount with adapter)
Maximum Resolution	2560x1944 @ 10fps
BNC Video	Yes
Image Control	Auto Exposure, Auto Color Balance, Smart Sharpening
Contrast Control	Contrast Adjustment, Brightness adjustment, Digital Noise Reduction, Adaptive Imaging
Day/Night	
Day/Night	Color Only
Flicker Control	Selectable
Privacy Mask	Hardware mask, 16x16 zone
Motion Detection	UHardware motion detection, 16x16 zone
Data Transmission	
MJPEG	Up to 30fps
H.264	Up to 30fps, AVC / H.264 (ISO/IEC 14496-10)
Multi-casting	Up to 8 streams
Interface Standard	PSIA
Transfer Protocols	FTP, HTTP, FTP, RTSP
Connectivity	
Ethernet Connection	10/100-baseT, RJ45, PoE 802.3af
BNC Out	Output Pal and NTSC Video
Serial Connection	RS-232 Serial, DB9 Male, up to 115.2kb
Power	Auxiliary DC / Legacy AC / PoE
Alarm Input	1 x fully isolated alarm input
Relay	1 x fully isolated relay
Auto Iris	DC auto iris connector
Physical	
Enclosure	IP66 rated vandal dome
3-axis gimbal	3-axis camera gimbal with 360°pan & 360°z-axis, 180°tilt
Dimensions	5.9" Diameter (150mm) x 4.7" H (120mm)
Weight	44 Ounces (1247 grams)
Operating Temperature	-40°F to 120°F (-40°C-50°C) Without Heater / Blower
Power Requirements	12VDC / 24VAC / PoE
POE	Class 3
Power Consumption	4 Watts
EMI Approval	FCC Class A, CE (EN55024)

SDH500VN

H.264



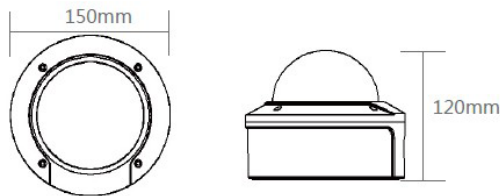
- Up to 5 Megapixel - 2560x1944
- H.264/MJPEG Compression
- IP66 Outdoor Vandal Resistant Dome
- Hybrid IP - Stream analogue & IP Simultaneously
- Outputs 1080p, 720p and NTSC / PAL
- Internal events trigger Email / FTP
- Mechanical IR Filter
- External relay/alarm input
- Automatic FTP Upload
- PoE, 12VDC or 24VAC power
- Integrated video motion detection
- Privacy Mask
- Rugged, Durable Design
- 40 °F - 120 °F with no Heater/Blower
- DC auto iris support
- Low power consumption - 4 watts



Imaging	
Imaging Sensor	1/2.5 CMOS Sensor
Lens Mount	CS Mount (C mount with adapter)
Maximum Resolution	2560x1944 @ 10fps
BNC Video	Yes
Image Control	Auto Exposure, Auto Color Balance, Smart Sharpening
Contrast Control	Contrast Adjustment, Brightness adjustment, Digital Noise Reduction, Adaptive Imaging
Day/Night	Yes, True Day/Night Mechanical IR Filter
Lux Rating	0.3lux Color, 0.0lux with IR engaged
Flicker Control	Selectable
Privacy Mask	Hardware mask, 16x16 zone
Motion Detection	Hardware motion detection, 16x16 zone
Data Transmission	
MJPEG	Up to 30fps
H.264	Up to 30fps, AVC / H.264 (ISO/IEC 14496-10)
Multi-casting	Up to 8 streams
Interface Standard	PSIA
Transfer Protocols	FTP, HTTP, FTP, RTSP
Connectivity	
Ethernet Connection	10/100-baseT, RJ45, PoE 802.3af
BNC Out	Output Pal and NTSC Video
Serial Connection	RS-232 Serial, DB9 Male, up to 115.2kb
Power	Auxiliary DC / Legacy AC / PoE
Alarm Input	1 x fully isolated alarm input
Relay	1 x fully isolated relay
Auto Iris	DC auto iris connector
Physical	
Enclosure	IP66 rated vandal dome
3-axis gimbal	3-axis camera gimbal with 360°pan & 360°z-axis, 180°tilt
Dimensions	5.9" Diameter (150mm) x 4.7" H (120mm)
Weight	44 Ounces (1247 grams)
Operating Temperature	-40°F to 120°F (-40°C-50°C) Without Heater / Blower
Power Requirements	12VDC / 24VAC / PoE
POE	Class 3
Power Consumption	4 Watts
EMI Approval	FCC Class A, CE (EN55024)

SDH1000V

H.264



Up to 10 Megapixel -3648x2752
H.264/MJPEG Compression
IP66 Outdoor Vandal Resistant Dome
Hybrid IP - Stream analogue & IP Simultaneously
Outputs 1080p, 720p and NTSC / PAL
Internal events trigger Email / FTP
External relay/alarm input
Automatic FTP Upload
PoE, 12VDC or 24VAC power
Integrated video motion detection
Privacy Mask
Rugged, Durable Design
-40 °F - 120 °F with no Heater/Blower
DC auto iris support
Low power consumption - 4 watts



Imaging

Imaging Sensor	1/2.3 CMOS Sensor
Lens Mount	CS Mount (C mount with adapter)
Maximum Resolution	3648x2752 @ 5fps
BNC Video	Yes
Image Control	Auto Exposure, Auto Color Balance, Smart Sharpening
Contrast Control	Contrast Adjustment, Brightness adjustment, Digital Noise Reduction, Adaptive Imaging
Day/Night	Color Only
Flicker Control	Selectable
Privacy Mask	Hardware mask, 16x16 zone
Motion Detection	Hardware motion detection, 16x16 zone

Data Transmission

MJPEG	Up to 30fps
H.264	Up to 30fps, AVC / H.264 (ISO/IEC 14496-10)
Multi-casting	Up to 8 streams
Interface Standard	PSIA
Transfer Protocols	FTP, HTTP, FTP, RTSP

Connectivity

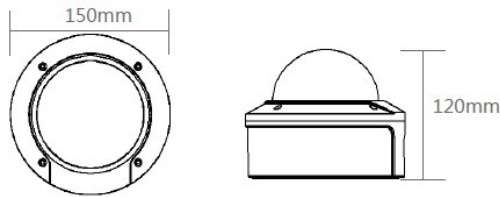
Ethernet Connection	10/100-baseT, RJ45, PoE 802.3af
BNC Out	Output Pal and NTSC Video
Serial Connection	RS-232 Serial, DB9 Male, up to 115.2kb
Power	Auxiliary DC / Legacy AC / PoE
Alarm Input	1 x fully isolated alarm input
Relay	1 x fully isolated relay
Auto Iris	DC auto iris connector

Physical

Enclosure	IP66 rated vandal dome
3-axis gimbal	3-axis camera gimbal with 360°pan & 360°z-axis, 180°tilt
Dimensions	5.9" Diameter (150mm) x 4.7" H (120mm)
Weight	44 Ounces (1247 grams)
Operating Temperature	-40°F to 120°F (-40°C-50°C) Without Heater / Blower
Power Requirements	12VDC / 24VAC / PoE
POE	Class 3
Power Consumption	4 Watts
EMI Approval	FCC Class A, CE (EN55024)

SDH1000VN

H.264



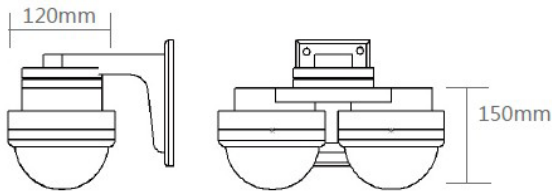
- Up to 1.3 Megapixel - 3648x2752
- H.264/MJPEG Compression
- IP66 Outdoor Vandal Resistant Dome
- Hybrid IP - Stream analogue & IP Simultaneously
- Outputs 1080p, 720p and NTSC / PAL
- Internal events trigger Email / FTP
- Mechanical IR Filter
- External relay/alarm input
- Automatic FTP Upload
- PoE, 12VDC or 24VAC power
- Integrated video motion detection
- Privacy Mask
- Rugged, Durable Design
- 40 °F - 120 °F with no Heater/Blower
- DC auto iris support
- Low power consumption - 4 watts



Imaging	
Imaging Sensor	1/2.3 CMOS Sensor
Lens Mount	CS Mount (C mount with adapter)
Maximum Resolution	3648x2752 @ 5fps
BNC Video	Yes
Image Control	Auto Exposure, Auto Color Balance, Smart Sharpening
Contrast Control	Contrast Adjustment, Brightness adjustment, Digital Noise Reduction, Adaptive Imaging
Day/Night	Yes, True Day/Night Mechanical IR Filter
Lux Rating	0.3lux Color, 0.0lux with IR engaged
Flicker Control	Selectable
Privacy Mask	Hardware mask, 16x16 zone
Motion Detection	Hardware motion detection, 16x16 zone
Data Transmission	
MJPEG	Up to 30fps
H.264	Up to 30fps, AVC / H.264 (ISO/IEC 14496-10)
Multi-casting	Up to 8 streams
Interface Standard	PSIA
Transfer Protocols	FTP, HTTP, FTP, RTSP
Connectivity	
Ethernet Connection	10/100-baseT, RJ45, PoE 802.3af
BNC Out	Output Pal and NTSC Video
Serial Connection	RS-232 Serial, DB9 Male, up to 115.2kb
Power	Auxiliary DC / Legacy AC / PoE
Alarm Input	1 x fully isolated alarm input
Relay	1 x fully isolated relay
Auto Iris	DC auto iris connector
Physical	
Enclosure	IP66 rated vandal dome
3-axis gimbal	3-axis camera gimbal with 360°pan & 360°z-axis, 180°tilt
Dimensions	5.9" Diameter (150mm) x 4.7" H (120mm)
Weight	44 Ounces (1247 grams)
Operating Temperature	-40°F to 120°F (-40°C-50°C) Without Heater / Blower
Power Requirements	12VDC / 24VAC / PoE
POE	Class 3
Power Consumption	4 Watts
EMI Approval	FCC Class A, CE (EN55024)

SDH-P180-HD

Panoramic 180



- Panoramic 180 Field of View
- H.264/MJPEG Compression
- IP66 Outdoor Vandal Resistant Dome
- Hybrid IP - Stream analogue & IP Simultaneously
- Internal events trigger Email / FTP
- Mechanical IR Filter
- External relay/alarm input
- Automatic FTP Upload
- PoE, 12VDC or 24VAC power
- Integrated video motion detection
- Privacy Mask
- Rugged, Durable Design
- 40 °F - 120 °F with no Heater/Blower
- DC auto iris support
- Low power consumption - 8 watts



Imaging

Imaging Sensor	2 x 1/2.5 CMOS Sensor
Lens Mount	CS Mount (C mount with adapter)
Maximum Resolution	2592x976@ 30fps
BNC Video	Yes
Image Control	Auto Exposure, Auto Color Balance, Smart Sharpening
Contrast Control	Contrast Adjustment, Brightness adjustment, Digital Noise Reduction, Adaptive Imaging
Day/Night	Yes, True Day/Night Mechanical IR Filter
Lux Rating	0.3lux Color, 0.0lux with IR engaged
Flicker Control	Selectable
Privacy Mask	Hardware mask, 16x16 zone
Motion Detection	6 user selectable camera detection zones and priority levels

Data Transmission

MJPEG	Up to 30fps
H.264	Up to 30fps, AVC / H.264 (ISO/IEC 14496-10)
Multi-casting	Up to 8 streams
Interface Standard	PSIA
Transfer Protocols	FTP, HTTP, FTP, RTSP

Connectivity

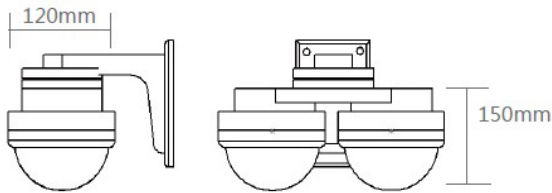
Ethernet Connection	10/100-baseT, RJ45, PoE 802.3af
BNC Out	Output Pal and NTSC Video
Serial Connection	RS-232 Serial, DB9 Male, up to 115.2kb
Power	Auxiliary DC / Legacy AC / PoE
Alarm Input	2 x fully isolated alarm input (1 per camera)
Relay	2 x fully isolated relay (1 per camera)
Auto Iris	DC auto iris connector

Physical

Enclosure	IP66 rated vandal dome
Dimensions	5.9" Diameter (150mm) x 4.7" H (120mm)
Weight	114 Ounces (3232 grams)
Operating Temperature	-40°F to 120°F (-40°C-50°C) Without Heater / Blower
Power Requirements	12VDC / 24VAC / PoE
POE	Class 3
Power Consumption	8 Watts
EMI Approval	FCC Class A, CE (EN55024)

SDH-P180-6MP

Panoramic 180



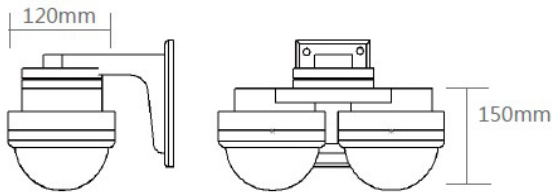
- Panoramic 180 Field of View
- H.264/MJPEG Compression
- IP66 Outdoor Vandal Resistant Dome
- Hybrid IP - Stream analogue & IP Simultaneously
- Internal events trigger Email / FTP
- Mechanical IR Filter
- External relay/alarm input
- Automatic FTP Upload
- PoE, 12VDC or 24VAC power
- Integrated video motion detection
- Privacy Mask
- Rugged, Durable Design
- 40 °F - 120 °F with no Heater/Blower
- DC auto iris support
- Low power consumption - 8 watts



Imaging	
Imaging Sensor	2 x 1/2.5 CMOS Sensor
Lens Mount	CS Mount (C mount with adapter)
Maximum Resolution	4096x1536@ 18fps
BNC Video	Yes
Image Control	Auto Exposure, Auto Color Balance, Smart Sharpening
Contrast Control	Contrast Adjustment, Brightness adjustment, Digital Noise Reduction, Adaptive Imaging
Day/Night	Yes, True Day/Night Mechanical IR Filter
Lux Rating	0.3lux Color, 0.0lux with IR engaged
Flicker Control	Selectable
Privacy Mask	Hardware mask, 16x16 zone
Motion Detection	6 user selectable camera detection zones and priority levels
Data Transmission	
MJPEG	Up to 30fps
H.264	Up to 30fps, AVC / H.264 (ISO/IEC 14496-10)
Multi-casting	Up to 8 streams
Interface Standard	PSIA
Transfer Protocols	FTP, HTTP, FTP, RTSP
Connectivity	
Ethernet Connection	10/100-baseT, RJ45, PoE 802.3af
BNC Out	Output Pal and NTSC Video
Serial Connection	RS-232 Serial, DB9 Male, up to 115.2kb
Power	Auxiliary DC / Legacy AC / PoE
Alarm Input	2 x fully isolated alarm input (1 per camera)
Relay	2 x fully isolated relay (1 per camera)
Auto Iris	DC auto iris connector
Physical	
Enclosure	IP66 rated vandal dome
Dimensions	5.9" Diameter (150mm) x 4.7" H (120mm)
Weight	114 Ounces (3232 grams)
Operating Temperature	-40°F to 120°F (-40°C-50°C) Without Heater / Blower
Power Requirements	12VDC / 24VAC / PoE
POE	Class 3
Power Consumption	8 Watts
EMI Approval	FCC Class A, CE (EN55024)

SDH-P180-10MP

Panoramic 180



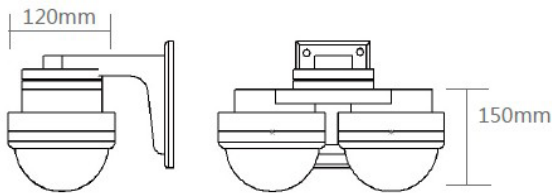
- Panoramic 180 Field of View
- H.264/MJPEG Compression
- IP66 Outdoor Vandal Resistant Dome
- Hybrid IP - Stream analogue & IP Simultaneously
- Internal events trigger Email / FTP
- Mechanical IR Filter
- External relay/alarm input
- Automatic FTP Upload
- PoE, 12VDC or 24VAC power
- Integrated video motion detection
- Privacy Mask
- Rugged, Durable Design
- 40 °F - 120 °F with no Heater/Blower
- DC auto iris support
- Low power consumption - 8 watts



Imaging	
Imaging Sensor	2 x 1/2.5 CMOS Sensor
Lens Mount	CS Mount (C mount with adapter)
Maximum Resolution	5184x1944@ 12fps
BNC Video	Yes
Image Control	Auto Exposure, Auto Color Balance, Smart Sharpening
Contrast Control	Contrast Adjustment, Brightness adjustment, Digital Noise Reduction, Adaptive Imaging
Day/Night	Yes, True Day/Night Mechanical IR Filter
Lux Rating	0.3lux Color, 0.0lux with IR engaged
Flicker Control	Selectable
Privacy Mask	Hardware mask, 16x16 zone
Motion Detection	6 user selectable camera detection zones and priority levels
Data Transmission	
MJPEG	Up to 30fps
H.264	Up to 30fps, AVC / H.264 (ISO/IEC 14496-10)
Multi-casting	Up to 8 streams
Interface Standard	PSIA
Transfer Protocols	FTP, HTTP, FTP, RTSP
Connectivity	
Ethernet Connection	10/100-baseT, RJ45, PoE 802.3af
BNC Out	Output Pal and NTSC Video
Serial Connection	RS-232 Serial, DB9 Male, up to 115.2kb
Power	Auxiliary DC / Legacy AC / PoE
Alarm Input	2 x fully isolated alarm input (1 per camera)
Relay	2 x fully isolated relay (1 per camera)
Auto Iris	DC auto iris connector
Physical	
Enclosure	IP66 rated vandal dome
Dimensions	5.9" Diameter (150mm) x 4.7" H (120mm)
Weight	114 Ounces (3232 grams)
Operating Temperature	-40°F to 120°F (-40°C-50°C) Without Heater / Blower
Power Requirements	12VDC / 24VAC / PoE
POE	Class 3
Power Consumption	8 Watts
EMI Approval	FCC Class A, CE (EN55024)

SDH-P180-20MP

Panoramic 180



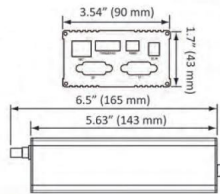
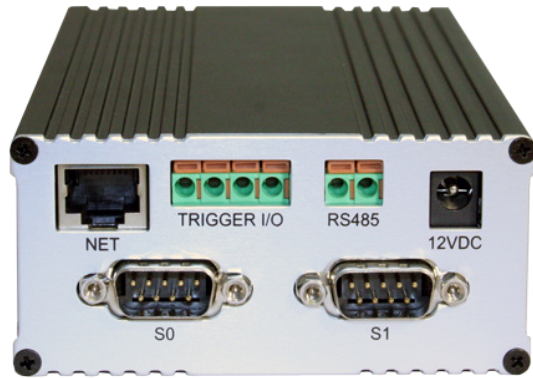
- Panoramic 180 Field of View
- H.264/MJPEG Compression
- IP66 Outdoor Vandal Resistant Dome
- Hybrid IP - Stream analogue & IP Simultaneously
- Internal events trigger Email / FTP
- Mechanical IR Filter
- External relay/alarm input
- Automatic FTP Upload
- PoE, 12VDC or 24VAC power
- Integrated video motion detection
- Privacy Mask
- Rugged, Durable Design
- 40 °F - 120 °F with no Heater/Blower
- DC auto iris support
- Low power consumption - 8 watts



Imaging	
Imaging Sensor	2 x 1/2.3 CMOS Sensor
Lens Mount	CS Mount (C mount with adapter)
Maximum Resolution	3648x2752@ 5fps
BNC Video	Yes
Image Control	Auto Exposure, Auto Color Balance, Smart Sharpening
Contrast Control	Contrast Adjustment, Brightness adjustment, Digital Noise Reduction, Adaptive Imaging
Day/Night	Yes, True Day/Night Mechanical IR Filter
Lux Rating	0.3lux Color, 0.0lux with IR engaged
Flicker Control	Selectable
Privacy Mask	Hardware mask, 16x16 zone
Motion Detection	6 user selectable camera detection zones and priority levels
Data Transmission	
MJPEG	Up to 30fps
H.264	Up to 30fps, AVC / H.264 (ISO/IEC 14496-10)
Multi-casting	Up to 8 streams
Interface Standard	PSIA
Transfer Protocols	FTP, HTTP, FTP, RTSP
Connectivity	
Ethernet Connection	10/100-baseT, RJ45, PoE 802.3af
BNC Out	Output Pal and NTSC Video
Serial Connection	RS-232 Serial, DB9 Male, up to 115.2kb
Power	Auxiliary DC / Legacy AC / PoE
Alarm Input	2 x fully isolated alarm input (1 per camera)
Relay	2 x fully isolated relay (1 per camera)
Auto Iris	DC auto iris connector
Physical	
Enclosure	IP66 rated vandal dome
Dimensions	5.9" Diameter (150mm) x 4.7" H (120mm)
Weight	114 Ounces (3232 grams)
Operating Temperature	-40°F to 120°F (-40°C-50°C) Without Heater / Blower
Power Requirements	12VDC / 24VAC / PoE
POE	Class 3
Power Consumption	8 Watts
EMI Approval	FCC Class A, CE (EN55024)

SDEXP2

Video Encoders



- 2 Channel Analogue Encoder
- MJPEG Compression
- Internal events trigger Email / FTP
- External relay/alarm input
- Automatic FTP Upload
- 12VDC
- Integrated video motion detection
- Privacy Mask
- Rugged, Durable Design
- Operating Temperature -40 °F - 120 °F
- Low power consumption - 4 watts

Imaging

Max Number of Channels 2

Max Frame Rate 30fps with one camera 5fps per channel with two cameras

Resolutions Supported PAL, NTSC, 352x240, 176x120, 352x288, 172x144

Data Transmission

MJPEG Up to 30fps

Transfer Protocols FTP, HTTP, FTP

Connectivity

Ethernet Connection 10/100-baseT, RJ45, PoE 802.3af

Looping Out Yes, with one camera

S-Video 1 x S-Video output

Serial Connection RS-232 Serial, DB9 Male, up to 115.2kb

Power Auxiliary DC

Alarm Input 1x fully isolated alarm input (1 per camera)

Relay 1 x fully isolated relay (1 per camera)

Physical

Dimensions 3.54\"/>

Weight 15 Ounces (425grams)

Operating Temperature -40°F to 120°F (-40°C-50°C)

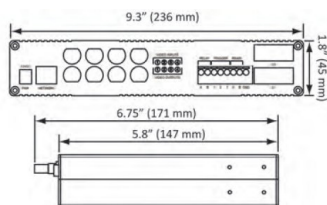
Power Requirements 12VDC / 24VAC

Power Consumption 4 Watts

EMI Approval FCC Class A, CE (EN55024)

SDEXP4

Video Encoders



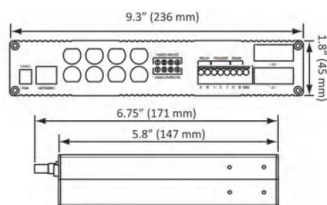
- 4 Channel Analogue Encoder
- MJPEG Compression
- Internal events trigger Email / FTP
- Looping - 4 Channels
- External relay/alarm input
- Automatic FTP Upload
- 12VDC
- Integrated video motion detection
- Privacy Mask
- Rugged, Durable Design
- 40 °F - 120 °F
- Low power consumption - 4 watts

Imaging	
Max Number of Channels	4
Max Frame Rate	30fps per channel
Resolutions Supported	PAL, NTSC, 352x240, 176x120, 352x288, 172x144
Data Transmission	
MJPEG	Up to 30fps
Transfer Protocols	FTP, HTTP, FTP
Connectivity	
Ethernet Connection	10/100-baseT, RJ45, PoE 802.3af
Looping Out	Yes, with all channel
Serial Connection	2 x RS-232 Serial, DB9 Male, up to 115.2kb
Power	Auxiliary DC
Alarm Input	3x fully isolated alarm input (1 per camera)
Relay	1 x fully isolated relay (1 per camera)
Physical	
Dimensions	9.3"W(90mm) x 1.8" H (45mm) x 5.8"D (147mm)
Weight	36 Ounces (425grams)
Operating Temperature	-40°F to 120°F (-40°C-50°C)
Power Requirements	12VDC / 24VAC
Power Consumption	4 Watts
EMI Approval	FCC Class A, CE (EN55024)



SDEXP8

Video Encoders



- 8 Channel Analogue Encoder
- MJPEG Compression
- Internal events trigger Email / FTP
- External relay/alarm input
- Automatic FTP Upload
- 12VDC or 24VAC power
- Integrated video motion detection
- Privacy Mask
- Rugged, Durable Design
- 40 °F - 120 °F
- Low power consumption - 4 watts

Imaging

Max Number of Channels	8
Max Frame Rate	30fps per channel with 4 cameras, 7.5fps for 8 cameras
Resolutions Supported	PAL, NTSC, 352x240, 176x120, 352x288, 172x144

Data Transmission

MJPEG	Up to 30fps
Transfer Protocols	FTP, HTTP, FTP

Connectivity

Ethernet Connection	10/100-baseT, RJ45, PoE 802.3af
Looping Out	No
Serial Connection	2 x RS-232 Serial, DB9 Male, up to 115.2kb
Power	Auxiliary DC / Legacy AC
Alarm Input	3x fully isolated alarm input (1 per camera)
Relay	1 x fully isolated relay (1 per camera)

Physical

Dimensions	9.3"W(90mm) x 1.8" H (45mm) x 5.8"D (147mm)
Weight	36 Ounces (425grams)
Operating Temperature	-40°F to 120°F (-40°C-50°C)
Power Requirements	12VDC / 24VAC
Power Consumption	4 Watts
EMI Approval	FCC Class A, CE (EN55024)

Lenses and Accessories

LEN-4MMCS

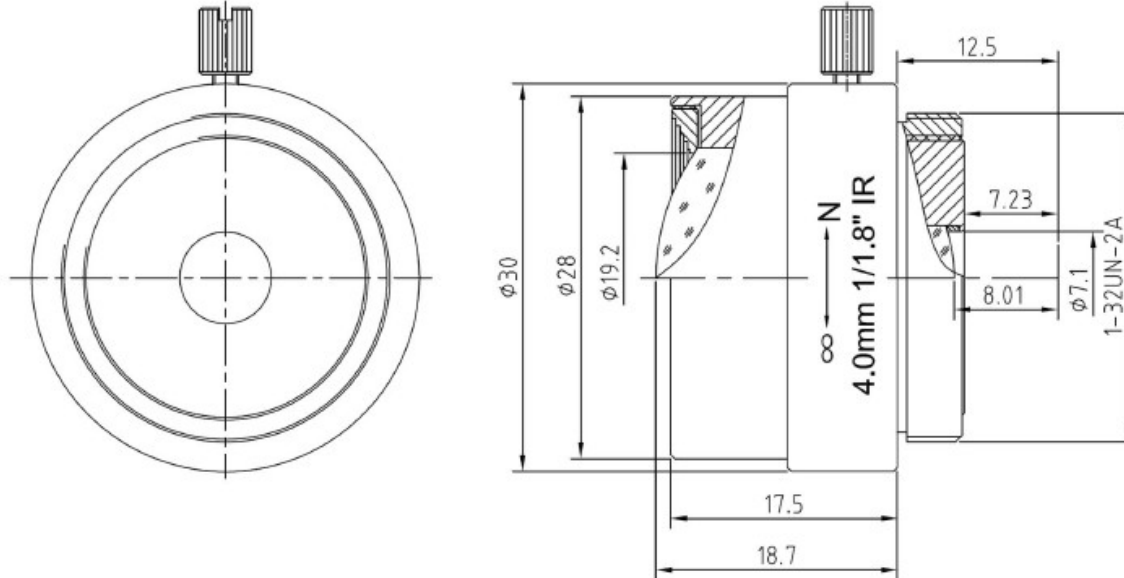
Lenses



SPECIFICATIONS

Type	Specification	Remark	Type	Specification	Remark
(Model)	LEN-4MMCS		(Distortion)		
(Sensor)	CCD/CMOS		(Iris)	DC Auto Iris	
(Image Circle)	1/1.8"		(MTF)	MP	
(Focal Length)	4.0mm		(M.O.D.)	0.2m	
(Aperture, F/#)	1.8		(Lens Construction)	6-5	
(F.O.V.)(D/H/V)	126°/101° /76°		(Mount)	1-32UN-2A	CS
(Back Focal Length)	8.01mm		(dimension)	ø 30x(17.5)mm	
(Effective Aperture)	ø 19.2mm	Front	(Weight)		
	ø 7.1mm	Rear			

Measurement Details:



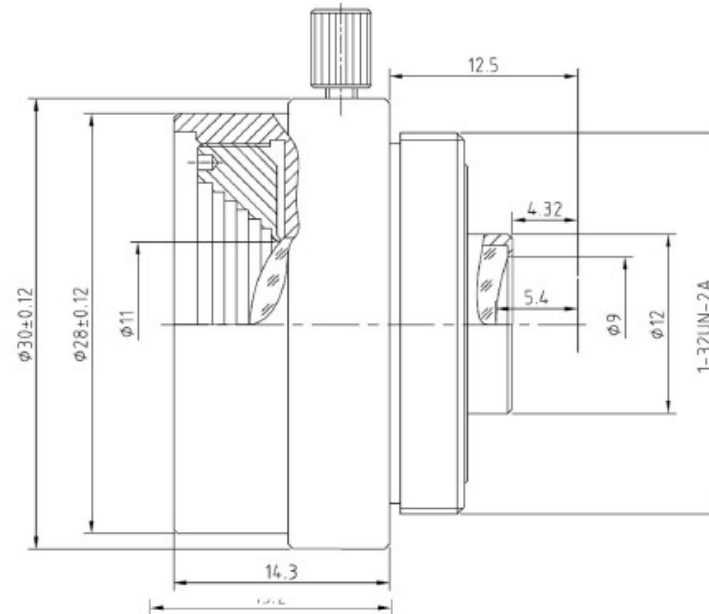
LEN-8MMC

Lenses



SPECIFICATIONS					
Type	Specification	Remark	Type	Specification	Remark
(Model)	LEN-8MMC		(Distortion)		
(Sensor)	CCD/CMOS		(Iris)	DC Auto Iris	
(Image Circle)	1/2"		(MTF)	MP	
(Focal Length)	8mm		(M.O.D.)	0.2m	
(Aperture, F/#)	1.6		(Lens Construction)	6-5	
(F.O.V.)(D/H/V)	62°/48° /35°		(Mount)	1-32UN-2A	CS
(Back Focal Length)	5.4		(dimension)	ø 30x14.3mm	
(Effective Aperture)	ø 11mm	Front	(Weight)		
	ø 9mm	Rear			

Measurement Details:



LEN-412MMCS

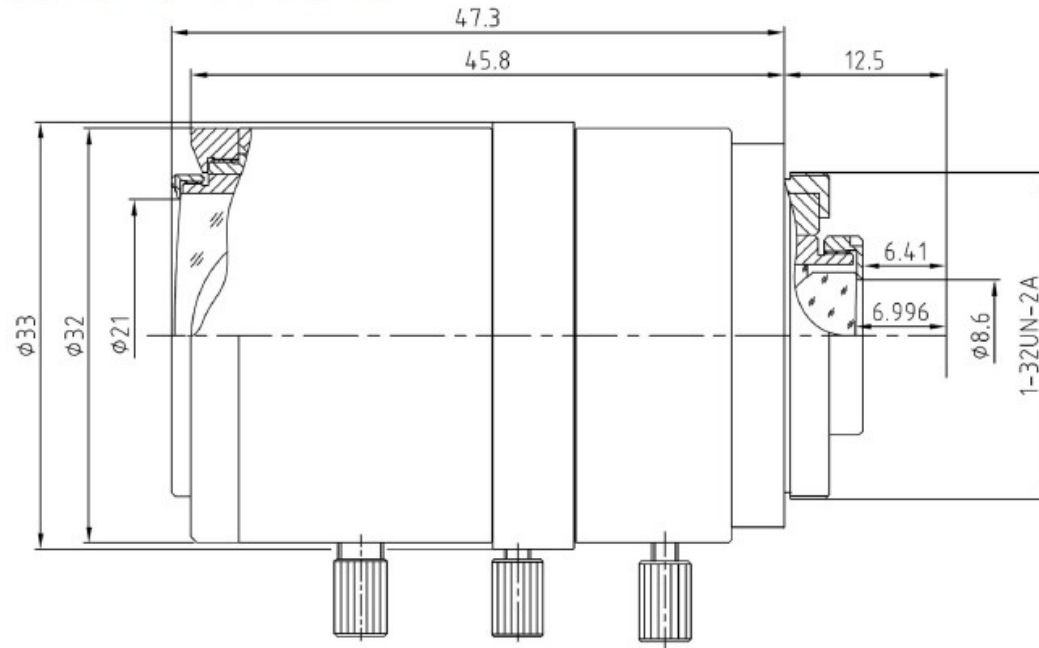
Lenses



SPECIFICATIONS

Type	Specification	Remark	Type	Specification	Remark
(Model)	LEN-MV412CS		(Distortion)		
(Sensor)	CCD/CMOS		(Iris)	DC Auto Iris	
(Image Circle)	1/2"		(MTF)	MP	
(Focal Length)	4.0~12mm		(M.O.D.)	0.1m	
(Aperture, F/#)	1.4		(Lens Construction)	9-7	
(F.O.V.)(D/H/V)	114°~44°/86°~36° / 62°~26°		(Mount)	1-32UN-2A	CS
(Back Focal Length)	6.97~12.75mm		(dimension)	ø 33x45.8mm	
(Effective Aperture)	ø21mm	Front	(Weight)		
	ø 8.6mm	Rear			

Measurement Details:



LEN-MV1240AI

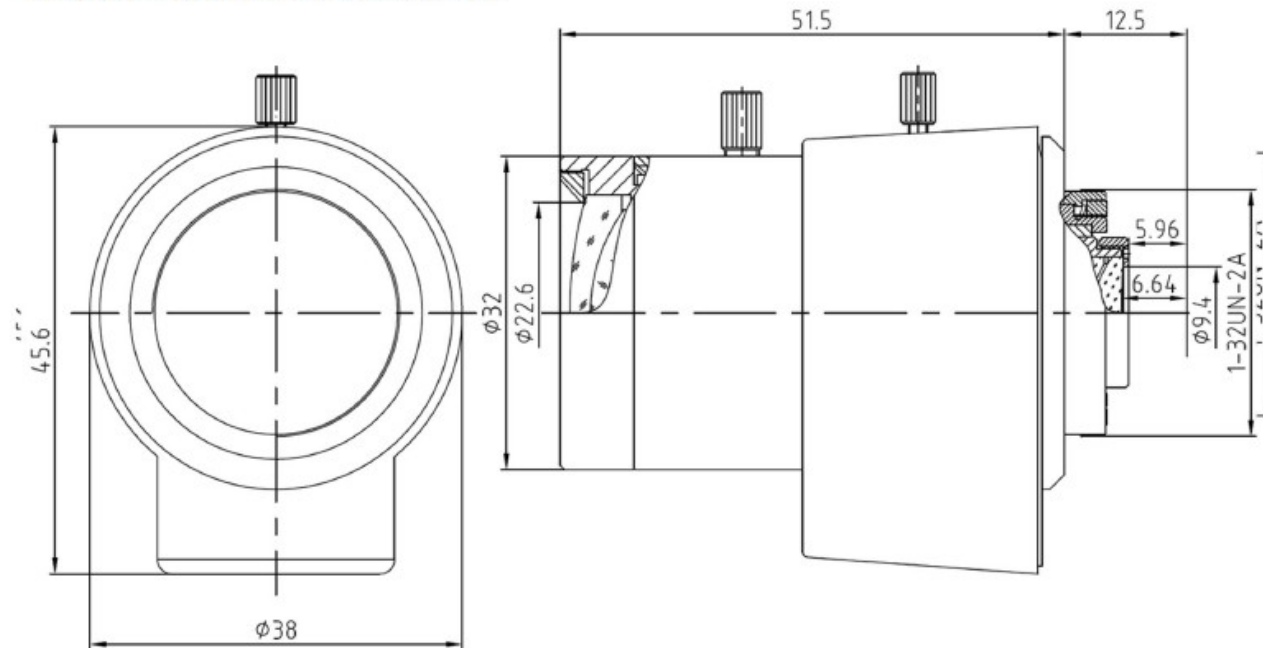
Lenses



SPECIFICATIONS

Type	Specification	Remark	Type	Specification	Remark
(Model)	LEN-MV1240AI		(Distortion)		
(Sensor)	CCD/CMOS		(Iris)	DC Auto Iris	
(Image Circle)	1/2.5		(MTF)	MP	
(Focal Length)	12~40mm		(M.O.D.)	0.5m	
(Aperture, F/#)	1.8		(Lens Construction)	12-10	
(F.O.V.)(D/H/V)	42°~14°/34°~12° / 28°~8°		(Mount)	1-32UN-2A	CS
(Back Focal Length)	6.34~9.4mm		(dimension)	ø 38x51.5x45.6mm	
(Effective Aperture)	ø22.6mm	Front	(Weight)		
	ø 9.4mm	Rear			

Measurement Details:



LEN-16MMCS

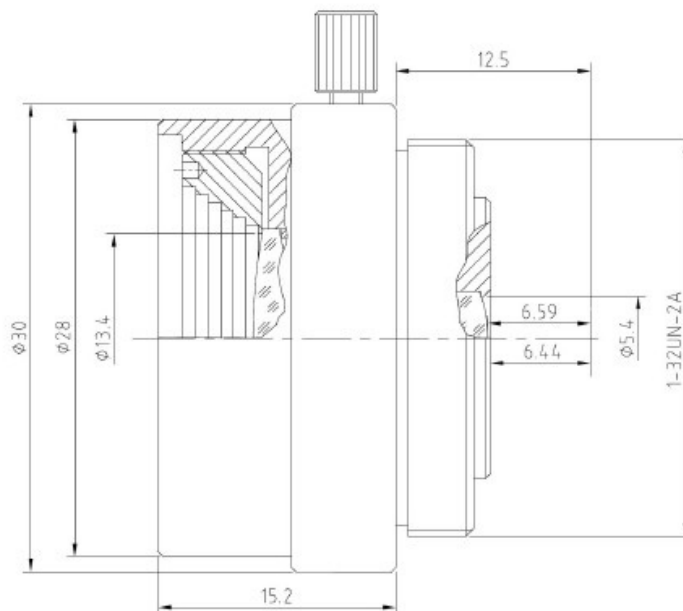
Lenses



SPECIFICATIONS

Type	Specification	Remark	Type	Specification	Remark
(Model)	LEN-16MMCS		(Distortion)		
(Sensor)	CCD/CMOS		(Iris)	DC Auto Iris	
(Image Circle)	1/2"		(MTF)	MP	
(Focal Length)	16mm		(M.O.D.)	0.2m	
(Aperture, F/#)	1.6		(Lens Construction)	4-4	
(F.O.V.)(D/H/V)	24°/19.7° / 16.2°		(Mount)	1-32UN-2A	CS
(Back Focal Length)	6.59		(dimension)	ø 30x15.2mm	
(Effective Aperture)	ø 13.4mm	Front	(Weight)		
	ø 5.4mm	Rear			

Measurement Details:



LEN-MV412AI

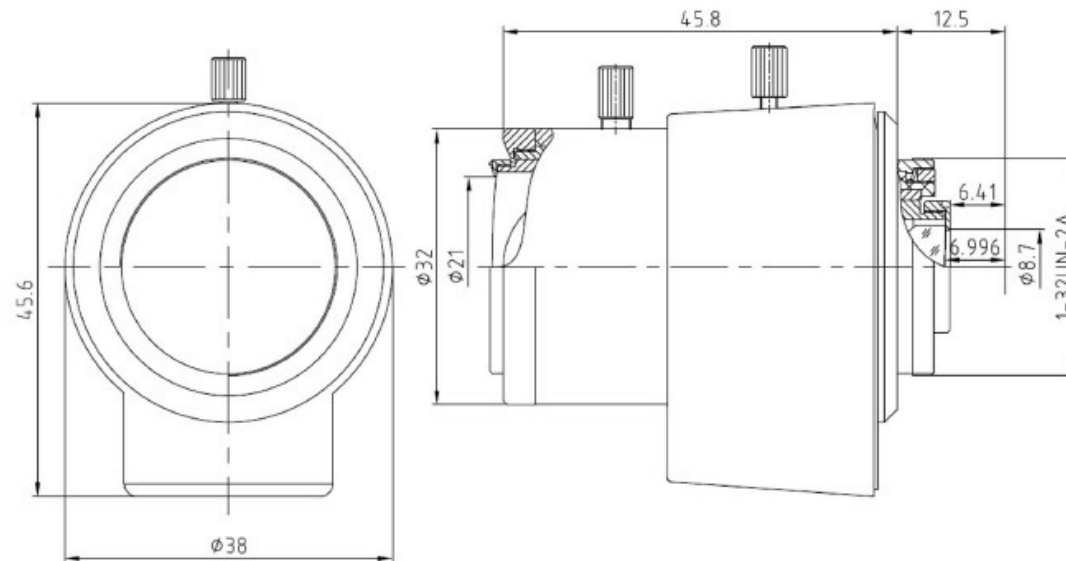
Lenses



SPECIFICATIONS

Type	Specification	Remark	Type	Specification	Remark
(Model)	LEN-MV0412AI		(Distortion)		
(Sensor)	CCD/CMOS		(Iris)	DC Auto Iris	
(Image Circle)	1/2"		(MTF)	MP	
(Focal Length)	4.0~12mm		(M.O.D.)	0.1m	
(Aperture, F/#)	1.4		(Lens Construction)	9-7	
(F.O.V.)(D/H/V)	114°~44°/86°~36° / 62°~26°		(Mount)	1-32UN-2A	CS
(Back Focal Length)	6.79~12.75mm		(dimension)	ø 38x45.8x45.6mm	
(Effective Aperture)	ø 21mm	Front	(Weight)		
	ø 8 mm	Rear			

Measurement Details:



LEN-MV1240CS

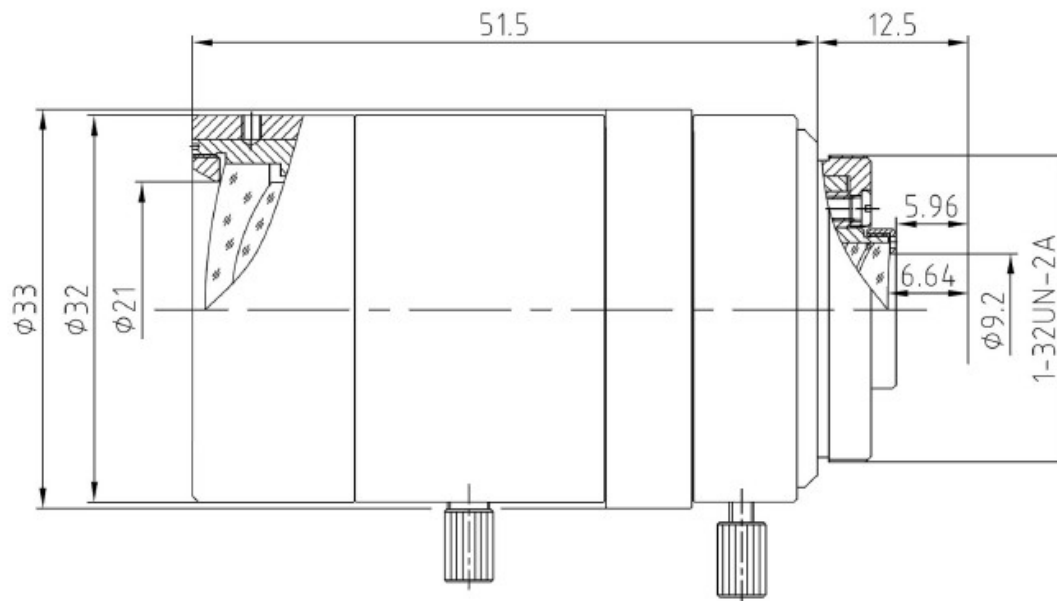
Lenses



SPECIFICATIONS

Type	Specification	Remark	Type	Specification	Remark
(Model)	LEN-MV1240CS		(Distortion)		
(Sensor)	CCD/CMOS		(Iris)	DC Auto Iris	
(Image Circle)	1/2"		(MTF)	MP	
(Focal Length)	12~40mm		(M.O.D.)	0.5m	
(Aperture, F/#)	1.8		(Lens Construction)	12-10	
(F.O.V.)(D/H/V)	42°~14°/34°~12° / 28°~8°		(Mount)	1-32UN-2A	CS
(Back Focal Length)	6.64~9.4mm		(dimension)	ø 33x51.5mm	
(Effective Aperture)	ø21mm	Front	(Weight)		
	ø 9.2mm	Rear			

Measurement Details:



LEN-MV3910AI

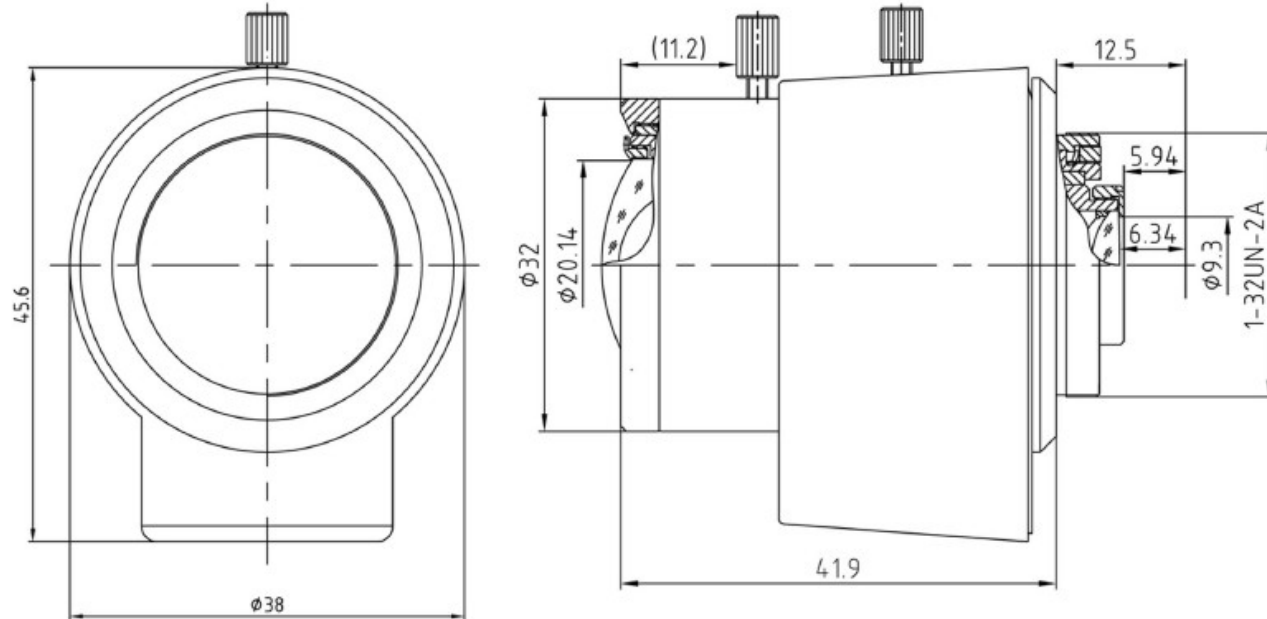
Lenses



SPECIFICATIONS

Type	Specification	Remark	Type	Specification	Remark
(Model)	LEN-MV3810AI		(Distortion)		
(Sensor)	CCD/CMOS		(Iris)	DC Auto Iris	
(Image Circle)	1/2.5		(MTF)	MP	
(Focal Length)	3.8~10mm		(M.O.D.)	0.1m	
(Aperture, F/#)	1.6		(Lens Construction)	9-9	
(F.O.V.)(D/H/V)	102°~46.5°/80.5°~37° / 60°~28°		(Mount)	1-32UN-2A	CS
(Back Focal Length)	6.34~11.8mm		(dimension)	ø 38x41.9x45.6mm	
(Effective Aperture)	ø20.14mm	Front	(Weight)		
	ø 9.3mm	Rear			

Measurement Details:



LEN-MV4510CS

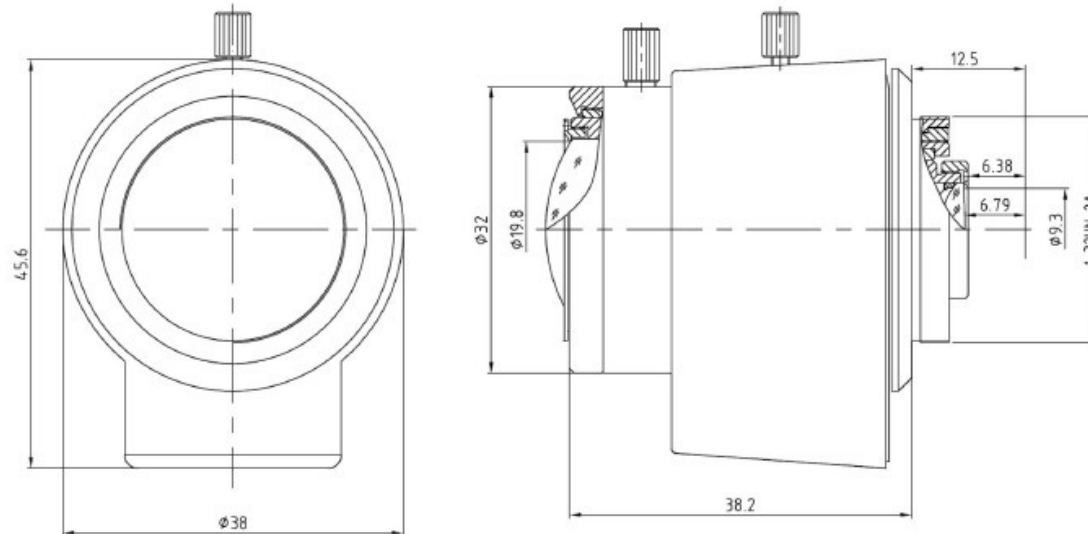
Lenses



SPECIFICATIONS

Type	Specification	Remark	Type	Specification	Remark
(Model)	LEN-MV4510CS		(Distortion)		
(Sensor)	CCD/CMOS		(Iris)	DC Auto Iris	
(Image Circle)	1/2"		(MTF)	MP	
(Focal Length)	4.5~10mm		(M.O.D.)	0.1m	
(Aperture, F/#)	1.6		(Lens Construction)	9-9	
(F.O.V.)(D/H/V)	102°/46.5°/80.5°/37° / 60°/28°		(Mount)	1-32UN-2A	CS
(Back Focal Length)	6.79~11.8mm		(dimension)	ø 38x38.2x45.6mm	
(Effective Aperture)	ø 19.8mm	Front	(Weight)		
	ø 9.3mm	Rear			

Measurement Details:





ENC-OUTD3 - StarDot Compact Enclosure w/ Wall Mount
Compatible with the SC, SCH, SCB, and MCLDC Box cameras.

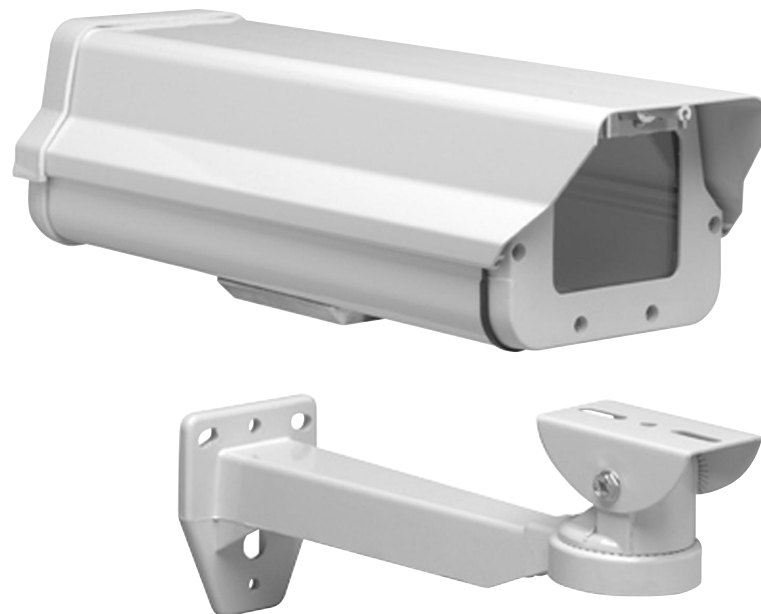
This durable enclosure includes a wall mount, which can be installed onto a horizontal or vertical surface.

Enclosure Dimensions: 11" (279mm) x 5.25" (133mm) x 4.5" (114mm)
Bracket Dimensions: 10.6" (270mm) Long
Bracket Base: 4" (101mm) x 3.4" (85mm)
Total Weight with Mount: 2.7lbs (1.2kg)
Total Weight without Mount: 1.8lbs (.85kg)

ENC-OUTD5 - StarDot Weatherproof Enclosure W/ Wall Mount
Compatible with the SC, SCH, SCB, and MCLDC Box cameras.

This enclosure is larger than the compact enclosure, ideal for installations which involve a larger lens.

Enclosure Dimensions: 14.6" (373mm) x 5.5" (140mm) x 4.5" (115mm)
Bracket Dimensions: 10.6" (270mm) Long
Bracket Base: 4" (101mm) x 3.4" (85mm)
Total Weight with Mount: 3.2lbs (1.45kg)
Total Weight without Mount: 2.3lbs (1.04kg)





ENC-OUTD2 - StarDot Light Duty Enclosure w/ Wall Mount *Compatible with the SC, SCH, SCB, and MCLDC Box cameras.*

The Compact Light Duty Enclosure is an environmental housing designed to keep the camera protected from the elements. It includes a mounting bracket that can be used to secure the camera housing on a vertical or horizontal surface.

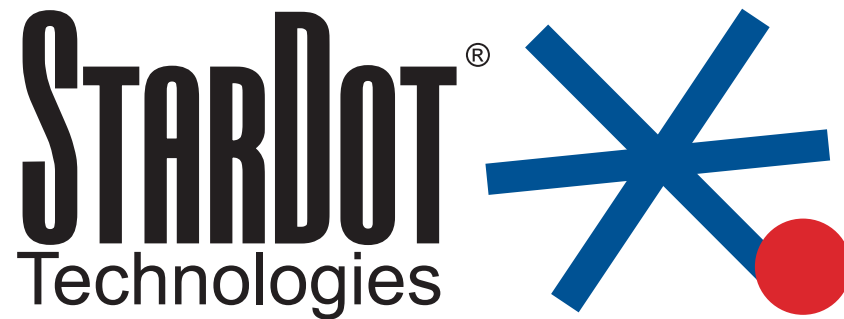
Enclosure Dimensions: 11" (279mm) x 5.25" (133mm) x 4.5" (114mm)
Bracket Dimensions: 10.6" (270mm) Long
Bracket Base: 4" (101mm) x 3.4" (85mm)
Total Weight with Mount: 2.7lbs (1.2kg)
Total Weight without Mount: 1.8lbs (.85kg)

ENC-OUTD - StarDot 12" Heavy Duty Enclosure *Compatible with the SC, SCH, SCB, and MCLDC Box cameras.*

The 12" Heavy Duty Enclosure is a rugged environmental enclosure, ideal for inclement weather. This enclosure has three mounting brackets available for multiple installation requirements.

Enclosure Dimensions: 16" (406mm) x 6.25" (159mm) x 6.25" (159mm)
Weight: 3.1lbs (1.4kg)
Compatible Mounts:
MNT-WAL - Heavy Duty Wall Mount
Dimensions: 12" (305mm) x 5.5" (140mm)
MNT-POL - Heavy Duty Pole Mount
Dimensions: 12" (305mm) x 8" (203mm)
MNT-PED - Heavy Duty Pedastal Mount
Dimensions: 9" (229mm) x 5.5" (140mm)





6820 Orangethorpe Ave - H
Buena Park, California 90620

714-228-9282

888-782-7368

sales@stardot.com

www.stardot.com